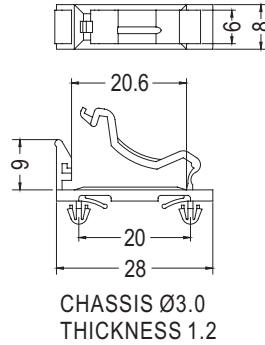


# WIRE MOUNT

PLASTECH

- MATERIAL: NYLON 66 (UL)
- FLAME CLASS: 94V-2
- COLOR: BLACK/NATURAL
- UNIT: mm



NEW

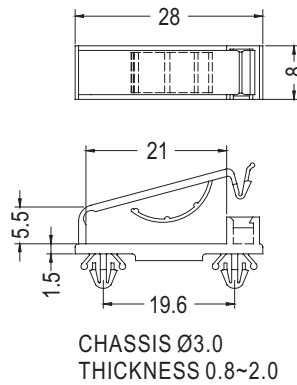
PART NO	PACKAGE
WDT-20	100

# FLAT CABLE CLAMP

PLASTECH

4

- MATERIAL: NYLON 66 (UL)
- FLAME CLASS: 94V-0/94V-2
- COLOR: NATURAL
- UNIT: mm



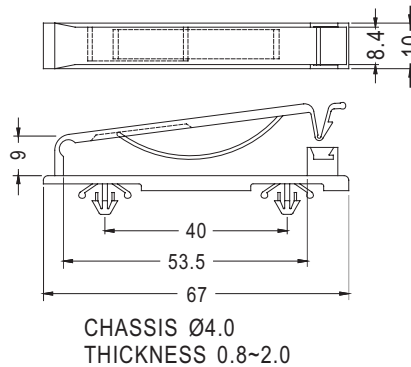
NEW

PART NO	PACKAGE
FDT-2	1000

# FLAT CABLE CLAMP

PLASTECH

- MATERIAL: NYLON 66 (UL)
- FLAME CLASS : 94V-2
- COLOR: NATURAL
- UNIT: mm



PART NO	PACKAGE
FDT-4	100