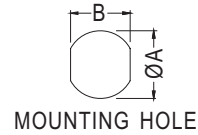
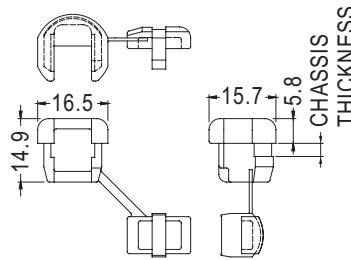


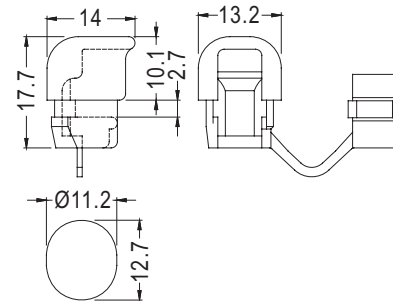
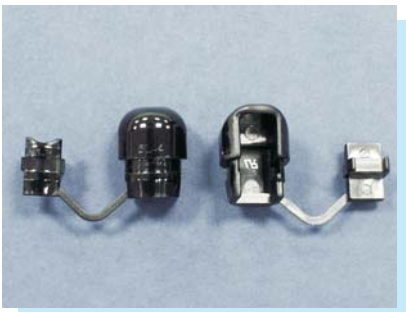
- MATERIAL: NYLON 66(UL)
- FLAME CLASS :94V-2
- COLOR: BLACK
- UNIT: mm



PART NO	WILL FIT THESE CABLE			CHASSIS DIMENSION		CHASSIS THICKNESS	PACKAGE
	UL TYPE DESIGNATION	AWG CONDUCTORS	APPROXIMATE SIZE	A	B	適用板厚	
SB6P4-4	SPT-2	18/3	3.0X7.6	15.9	14.0	2~2.5	500
		16/3	4.1X10.4				

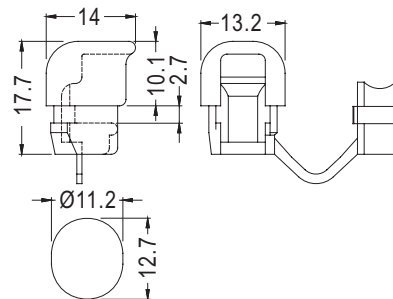
STRAIN RELIEF BUSHING

- MATERIAL: NYLON 66(UL)
- FLAME CLASS :94V-2
- COLOR: BLACK
- UNIT: mm



PART NO	PACKAGE
SB4L-4	500

HOLE IN CHASSIS
WIRE ACCOMODATED: SPT-2(3X6.6)
MAXIMUM THICKNESS: 2.5



PART NO	PACKAGE
SB5L-4	500

HOLE IN CHASSIS
WIRE ACCOMODATED: SV(Ø6.0)
MAXIMUM THICKNESS: 2.5