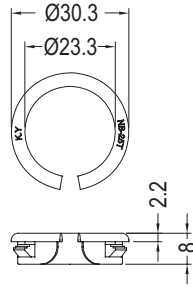


SNAP BUSHING

PLASTECH

- MATERIAL: NYLON 66 (UL)
- FLAME CLASS: 94V-2
- COLOR: BLACK
- UNIT: mm

NEW



CHASSIS Ø25.4
THICKNESS 0.6~1.6

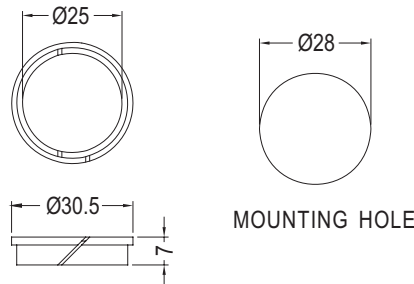
PART NO	PACKAGE
NB-25T	500

SNAP BUSHING

PLASTECH

- MATERIAL: NYLON 66 (UL)/POM
- FLAME CLASS: 94V-2/94HB
- COLOR: BLACK/WHITE
- UNIT: mm

NEW



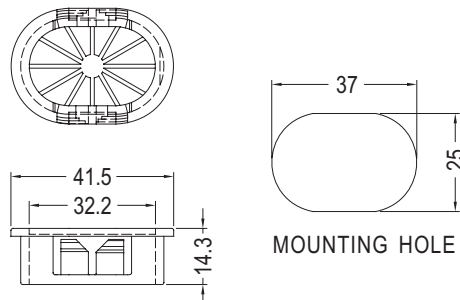
PART NO	PACKAGE
NC-28A	500

SNAP BUSHING

PLASTECH

- MATERIAL: NYLON 66 (UL)
- FLAME CLASS: 94V-2
- COLOR: BLACK
- UNIT: mm

NEW



PART NO	PACKAGE
NBR-3725	500