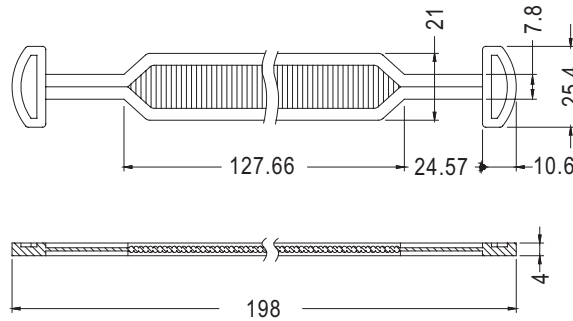


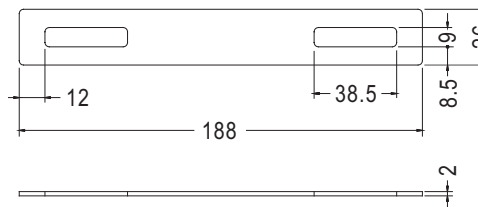
HANDLE

PLASTECH

- ✦ MATERIAL:PE
- ✦ COLOR:BLACK
- ✦ UNIT:mm



PART NO	PACKAGE
HAND-1	100



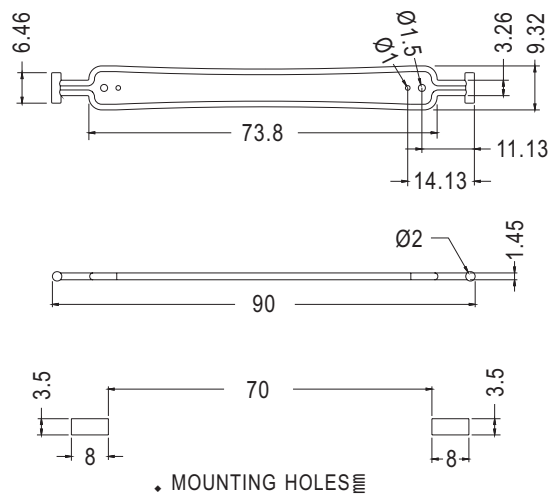
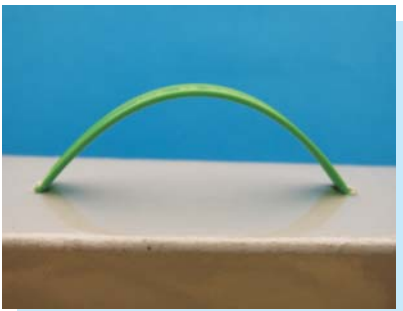
PART NO	PACKAGE
HAND-2	100

5

HANDLE

PLASTECH

- ✦ MATERIAL:NYLON 66 (UL)
- ✦ FLAME CLASS:94V-2
- ✦ COLOR:GREEN/BLACK
- ✦ UNIT:mm



PART NO	PACKAGE
HAND-7	500