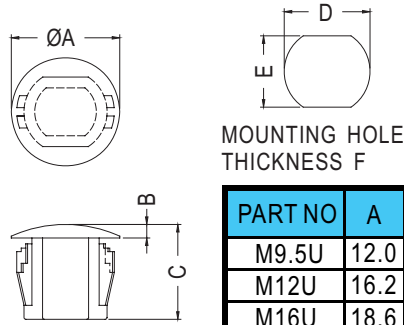


HOLE PLUGS

PLASTECH

- MATERIAL: NYLON 66 (UL)
- FLAME CLASS: 94V-2
- COLOR: BLACK
- UNIT: mm



NEW

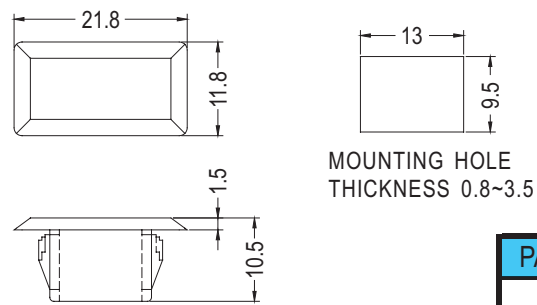
MOUNTING HOLE THICKNESS F

PART NO	A	B	C	D	E	F	PACKAGE
M9.5U	12.0	1.5	10.5	9.5	7.9	0.8~3.5	1000
M12U	16.2	1.9	10.6	12.7	11.5	0.8~3.0	500
M16U	18.6	1.9	10.6	15.9	14.0	0.8~3.5	
M19U	22.7	1.9	10.6	19.0	16.5	0.8~3.0	

HOLE PLUGS

PLASTECH

- MATERIAL: NYLON 66 (UL)
- FLAME CLASS: 94V-2
- COLOR: BLACK
- UNIT: mm



NEW

MOUNTING HOLE THICKNESS 0.8~3.5

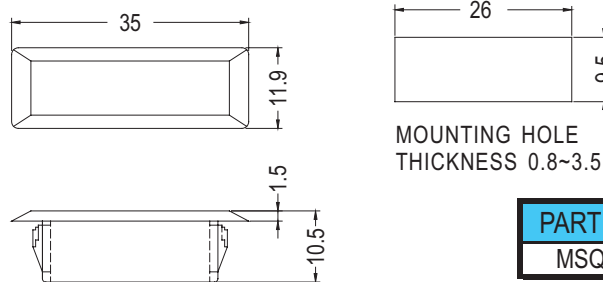
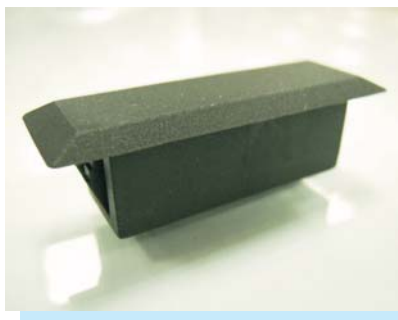
PART NO	PACKAGE
MSQ-1	500

5

HOLE PLUGS

PLASTECH

- MATERIAL: NYLON 66 (UL)
- FLAME CLASS: 94V-2
- COLOR: BLACK
- UNIT: mm



NEW

MOUNTING HOLE THICKNESS 0.8~3.5

PART NO	PACKAGE
MSQ-2	500