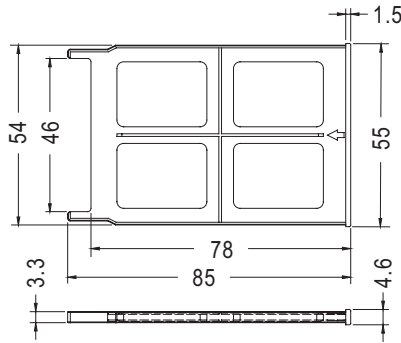


# PCMIC CARD SOCKET COVER

**PLASTECH**

- MATERIAL: ABS (UL)
- COLOR: BLACK
- UNIT: mm

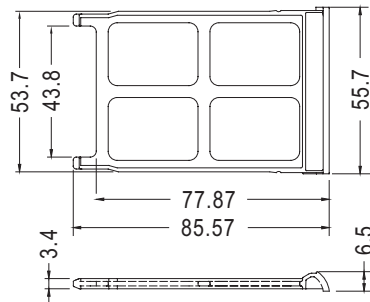
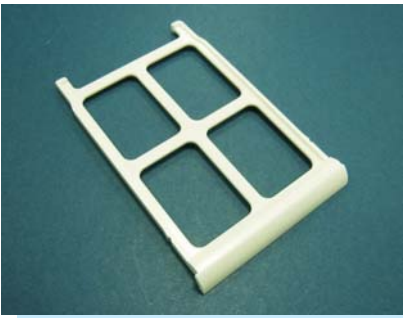


PART NO	PACKAGE
PCMIC-1	500

# PCMIC CARD SOCKET COVER

**PLASTECH**

- MATERIAL: ABS (UL)
- COLOR: BLACK/WHITE
- UNIT: mm



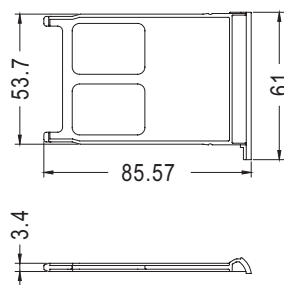
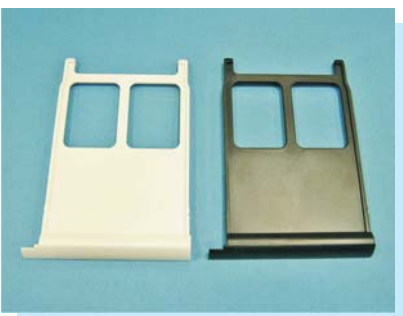
PART NO	PACKAGE
PCMIC-2	500

6

# PCMIC CARD SOCKET COVER

**PLASTECH**

- MATERIAL: ABS (UL)
- FLAME CLASS: 94HB
- COLOR: BLACK/WHITE
- UNIT: mm



**NEW**

PART NO	PACKAGE
PCMIC-3	500