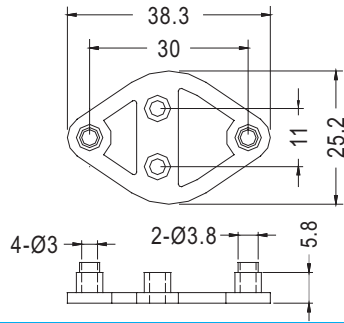


TRANSISTOR HOUSING

PLASTECH

- MATERIAL: NYLON 66 (UL)
- FLAME CLASS :94V-2
- COLOR:NATURAL
- UNIT:mm

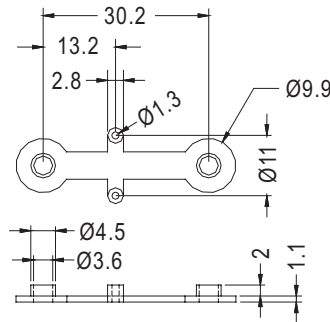


PART NO	PACKAGE
TR-4	500

TRANSISTOR HOUSING

PLASTECH

- MATERIAL: NYLON 66 (UL)
- FLAME CLASS :94V-0/94V-2
- COLOR:NATURAL
- UNIT:mm

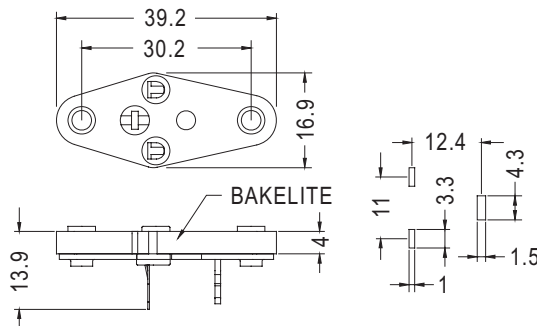


PART NO	PACKAGE
TR-6	1000

TRANSISTOR HOUSING

PLASTECH

- MATERIAL: BAKELITE
- COLOR: BLACK
- UNIT:mm

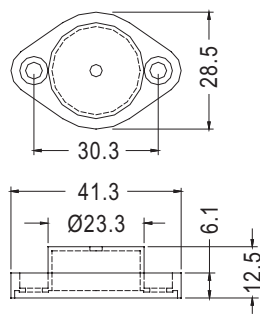


PART NO	PACKAGE
TO-3ATF	1000

TRANSISTOR COVER

PLASTECH

- MATERIAL: NYLON 66 (UL)
- FLAME CLASS :94V-2
- COLOR:NATURAL
- UNIT:mm



PART NO	PACKAGE
TRC-1	200