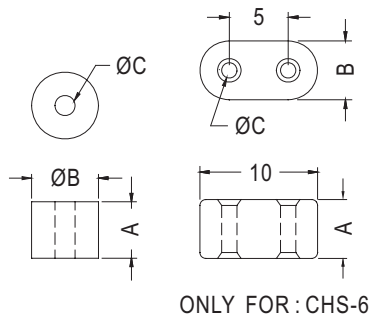
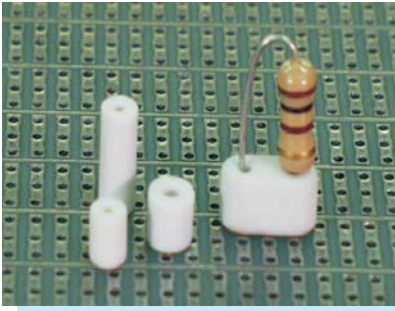


CERAMIC PARTS WASHER

PLASTECH

- MATERIAL: CERAMIC
- COLOR: WHITE
- UNIT: mm

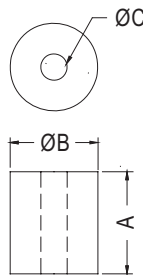
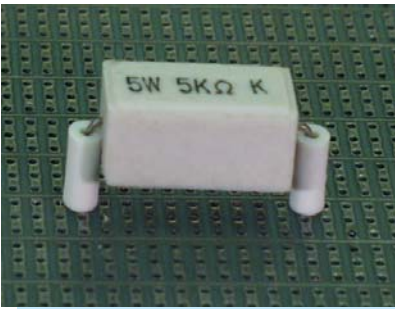


PART NO	A	B	C	PACKAGE
CHS-1	4.5	3.8	1.0	2000
CHS-2	9.0	3.8	1.0	
CHS-3	3.0	4.5	1.8	
CHS-4	4.5	4.5	1.8	
CHS-5	9.0	4.5	1.8	
CHS-6	5.0	5.0	1.3	
CHS-7	6.9	2.6	0.9	
CHS-8	3.1	2.5	1.1	
CHS-9	15.4	4.1	1.9	1000
★ CHS-10	13.0	4.1	1.9	

WASHER

PLASTECH

- MATERIAL: PBT (UL)
- FLAME CLASS : 94V-0
- COLOR: NATURAL
- UNIT: mm

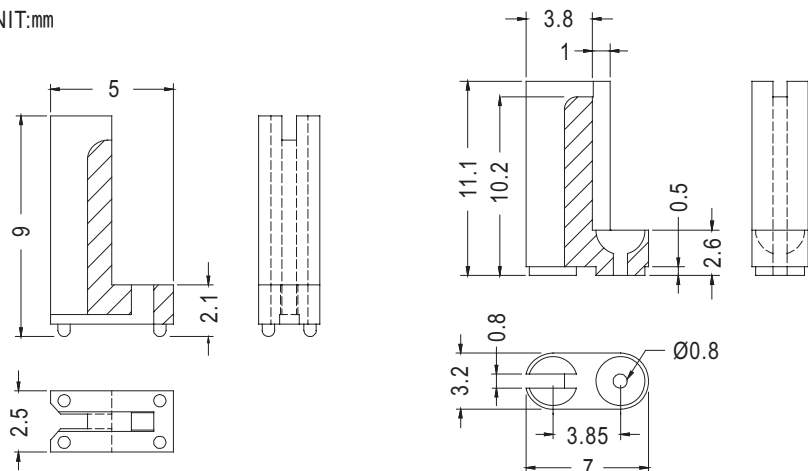


PART NO	A	B	C	PACKAGE
PW-1	4.2	4.0	1.3	2000
PW-1A	4.2	4.5	1.8	
PW-2	8.0	4.0	1.3	1000
PW-3	3.0	4.0	1.3	2000
PW-4	3.6	3.5	1.3	
PW-5	2.0	5.0	2.0	
PW-6	2.5	3.2	1.4	
PW-7	1.0	3.2	1.4	
★ PW-8	3.1	2.4	1.3	1000
★ PW-9	7.0	4.4	1.6	

ELECTRIC RESISTANCE HOLDER

PLASTECH

- MATERIAL: PPS (UL)
- FLAME CLASS: 94V-0
- COLOR: BLACK
- UNIT: mm



PART NO	PACKAGE
RPCL-9	2000

PART NO	PACKAGE
RPCL-11	2000