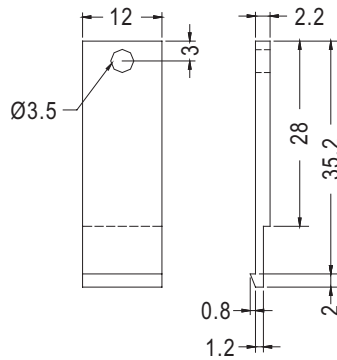
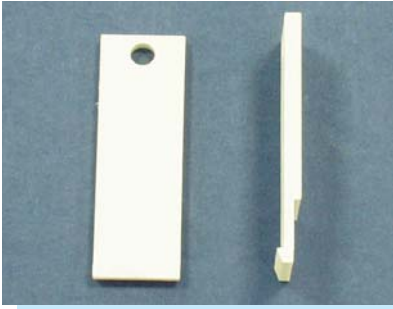


# TRANSISTOR WASHERS

PLASTECH

- MATERIAL:PBT (UL)
- FLAME CLASS:94V-0
- COLOR:WHITE
- UNIT:mm

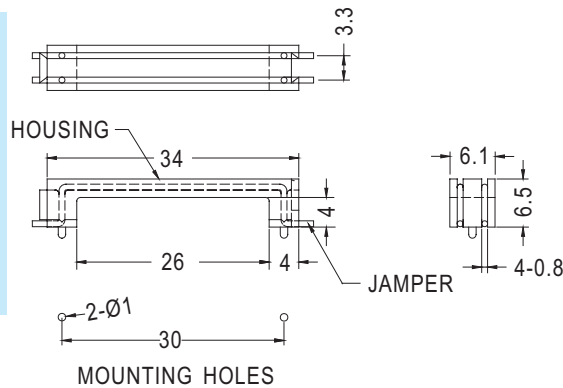
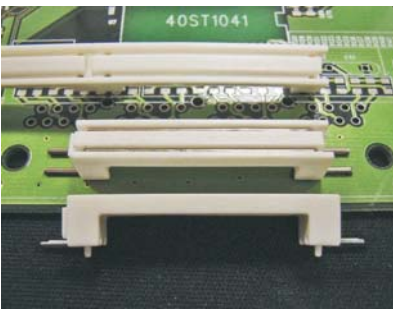


PART NO	PACKAGE
TCP-1	1000

# JUMPER HOUSING

PLASTECH

- MATERIAL:PBT (UL)
- FLAME CLASS :94V-0
- COLOR:NATURAL
- UNIT:mm



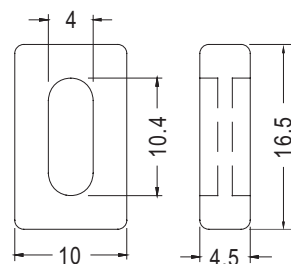
PART NO	PACKAGE
JPC-1	1000

6

# PARTS HOUSING

PLASTECH

- MATERIAL:NYLON 66 (UL)
- FLAME CLASS:94V-2
- COLOR:BLACK
- UNIT:mm



PART NO	PACKAGE
DVT-1	1000