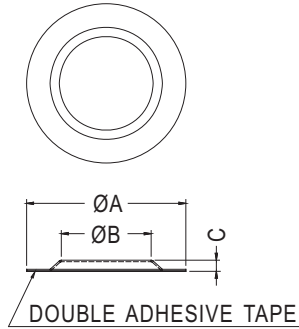


# INSULATED CAP

PLASTECH

- MATERIAL:PC FILM (UL)
- FLAME CLASS:94V-0/94V-2
- COLOR:BLACK
- THICKNESS:0.3
- UNIT:mm

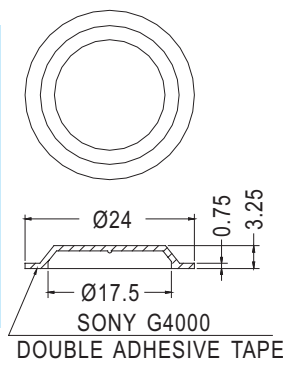


PART NO	A	B	C	PACKAGE
SCD-1	24.0	15.0	2.0	1000
SCD-3	32.0	22.0	2.2	500
SCD-4	37.0	22.0	2.2	

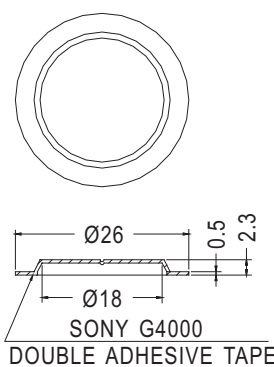
# INSULATED CAP

PLASTECH

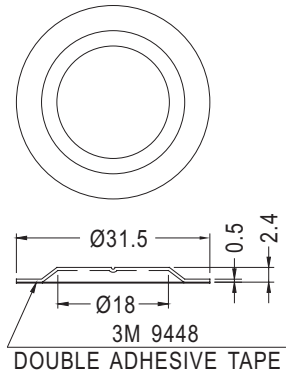
- MATERIAL:NYLON 66 (UL)
- FLAME CLASS:94V-2
- COLOR:BLACK
- UNIT:mm



PART NO	PACKAGE
SCD-6	2000



PART NO	PACKAGE
SCD-8	2000



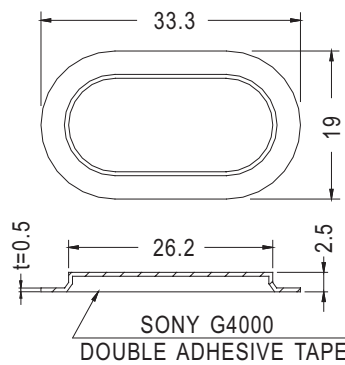
PART NO	PACKAGE
SCD-2	1000

6

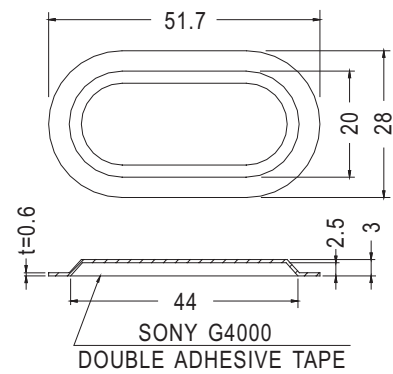
# INSULATED CAP

PLASTECH

- MATERIAL:NYLON 66 (UL)
- FLAME CLASS:94V-2
- COLOR:BLACK
- UNIT:mm



PART NO	PACKAGE
SCD-5	2000



PART NO	PACKAGE
SCD-7	2000