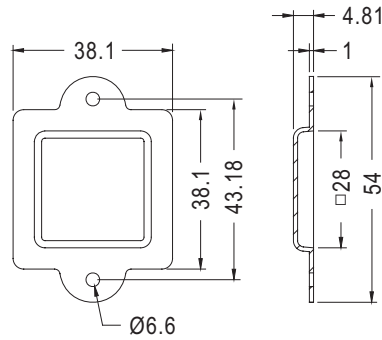


INSULATED CAP

PLASTECH

- MATERIAL:PC (UL)
- FLAME CLASS:94V-0/94V-2
- COLOR:BLACK
- UNIT:mm

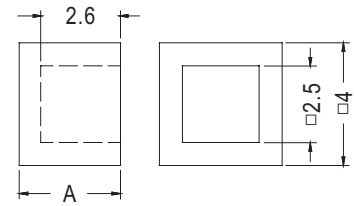
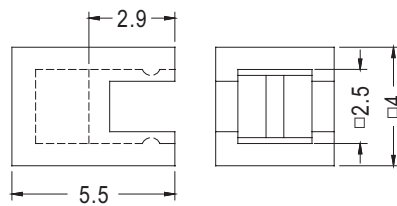
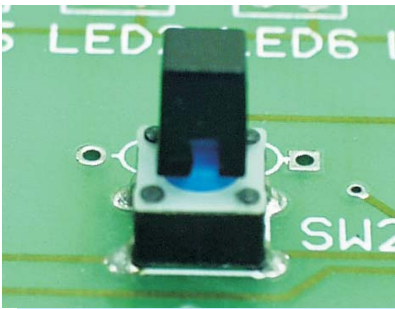


PART NO	PACKAGE
SCD-9	2000

TACT SWITCH CAP

PLASTECH

- MATERIAL:ABS (UL)
- FLAME CLASS:94HB
- COLOR:BLACK
- UNIT:mm



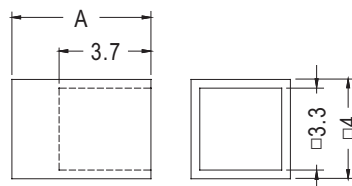
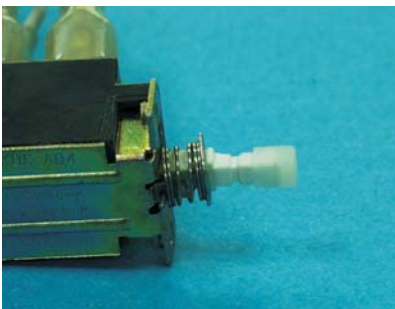
PART NO	PACKAGE
TSC-1	1000

PART NO	A	PACKAGE
TSC-2	3.3	2000
TSC-2A	4.0	

TACT SWITCH CAP

PLASTECH

- MATERIAL:NYLON 66 (UL)
- FLAME CLASS:94V-2
- COLOR:NATURAL
- UNIT:mm



PART NO	A	PACKAGE
SWC-1	5.6	2000
SWC-2	4.7	