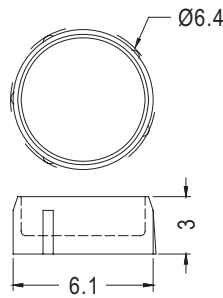


# CONNECTOR COVER

PLASTECH



- MATERIAL: NYLON 66 (UL)
- FLAME CLASS: 94V-0/94V-2
- COLOR: BLACK
- UNIT: mm



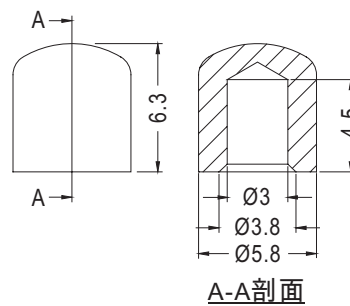
PART NO	PACKAGE
CAPX-6	2000

# COVER

PLASTECH



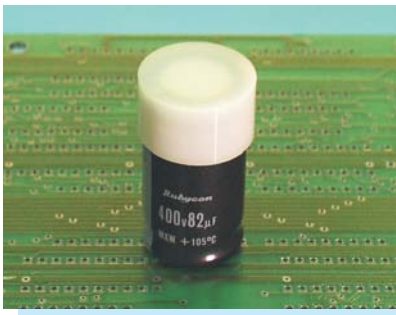
- MATERIAL: NYLON 66 (UL)
- FLAME CLASS: 94V-2
- COLOR: NATURAL
- UNIT: mm



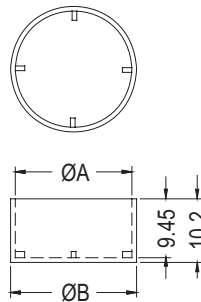
PART NO	PACKAGE
PENCOMC-1	2000

# CAPACITOR COVER

PLASTECH



- MATERIAL: NYLON 66 (UL)
- FLAME CLASS: 94V-2
- COLOR: NATURAL
- UNIT: mm



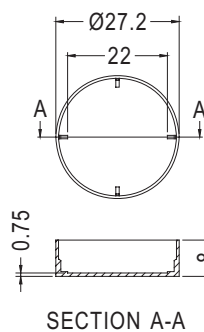
PART NO	A	B	PACKAGE
BCC-16	16.7	18.2	500
BCC-18	18.7	20.2	

# CAPACITOR COVER

PLASTECH



- MATERIAL: NYLON 66 (UL)
- FLAME CLASS: 94V-2
- COLOR: NATURAL
- UNIT: mm



NEW

PART NO	PACKAGE
BCC-25	2000