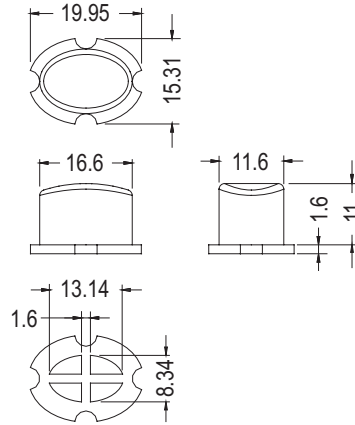


# SWITCH COVER

PLASTECH

- MATERIAL:ABS (UL) / PC+ABS (UL)
- FLAME CLASS :94HB/94V-0
- COLOR:GRAY/BLACK
- UNIT:mm

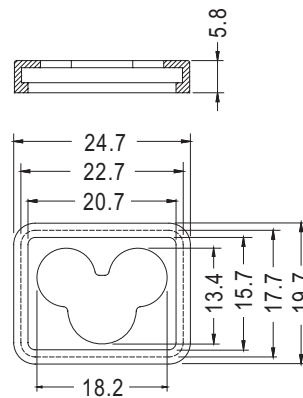


PART NO	PACKAGE
TSC-9	1000

# CONNECTOR COVER

PLASTECH

- MATERIAL:PVC
- COLOR:TRANSPARENT
- UNIT:mm



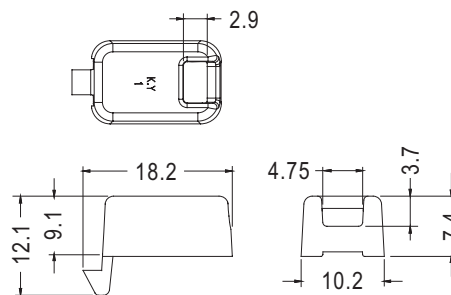
PART NO	PACKAGE
ABSC-2318	1000

6

# CONNECTOR COVER

PLASTECH

- MATERIAL:PC (UL)
- FLAME CLASS :94V-2
- COLOR:NATURAL
- UNIT:mm



PART NO	PACKAGE
CVER-1	1000

