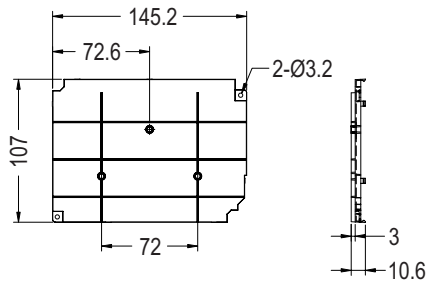


PLASTIC COVER

PLASTECH

- MATERIAL: NYLON 66 (UL)
- FLAME CLASS : 94V-0
- COLOR: BLACK
- UNIT: mm



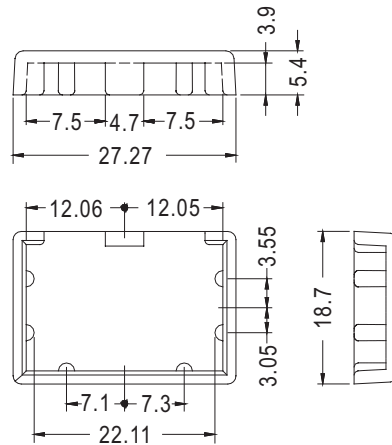
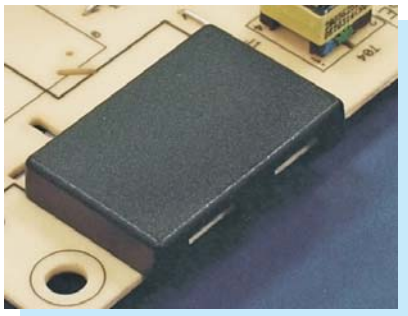
NEW

PART NO	PACKAGE
CV145107	500

CONNECTOR COVER

PLASTECH

- MATERIAL: NYLON 66 (UL)
- FLAME CLASS: 94V-0/94V-2
- COLOR: BLACK
- UNIT: mm

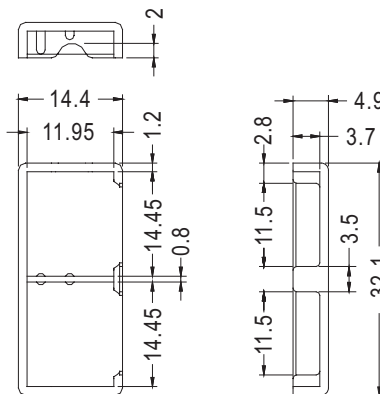
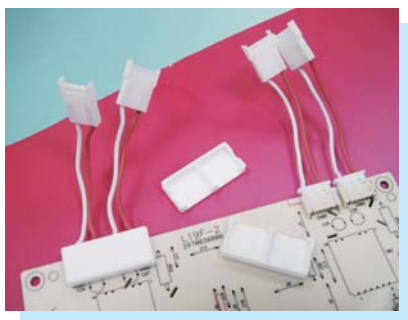


PART NO	PACKAGE
CDELT-3	500

CONNECTOR COVER

PLASTECH

- MATERIAL: NYLON 66 (UL)
- FLAME CLASS: 94V-0/94V-2
- COLOR: NATURAL
- UNIT: mm



PART NO	PACKAGE
CDELT-2	500

6