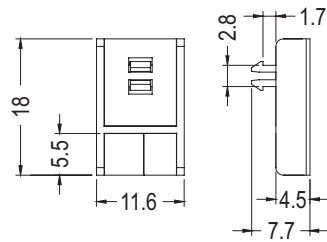
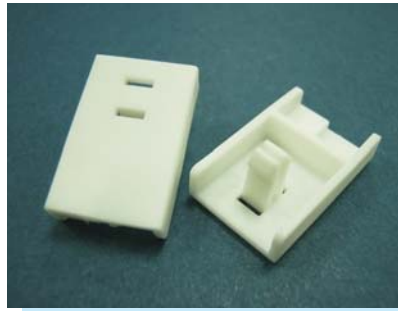


INSULATED CAP

PLASTECH

- MATERIAL: NYLON 66 (UL)
- FLAME CLASS: 94V-0/94V-2
- COLOR: BLACK/WHITE
- UNIT: mm



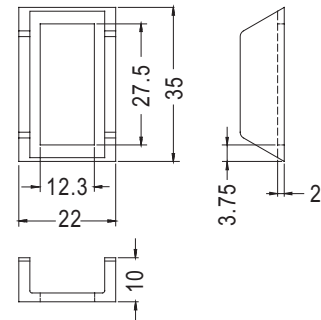
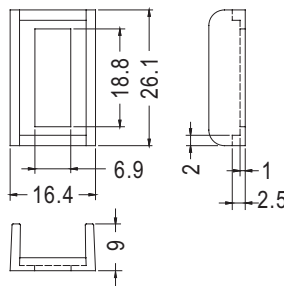
NEW

PART NO	PACKAGE
COVER-5	1000

SWITCH COVER

PLASTECH

- MATERIAL: ABS (UL)
- FLAME CLASS: 94HB
- COLOR: BLACK
- UNIT: mm



PART NO	PACKAGE
SCAB-7	500

PART NO	PACKAGE
SCAB-12	500

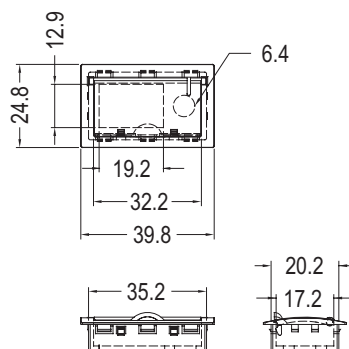
6

SWITCH COVER

PLASTECH

- BODY MATERIAL: NYLON 66 (UL)
- COVER MATERIAL: PC (UL)
- FLAME CLASS: 94V-2/94V-0
- COLOR: BLACK
- UNIT: mm

NEW



PART NO	PACKAGE
SCAB-2F	500