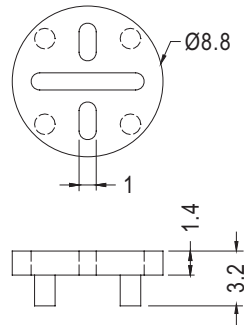
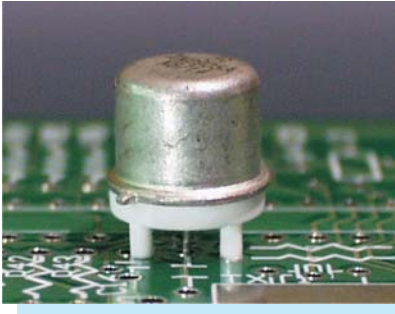


TRANSISTOR WASHERS

PLASTECH

- MATERIAL:PBT (UL)
- FLAME CLASS :94V-0
- COLOR:NATURAL
- UNIT:mm

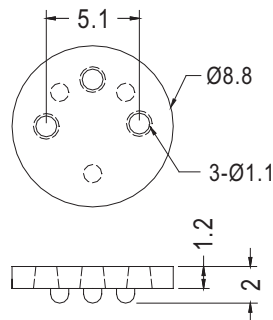
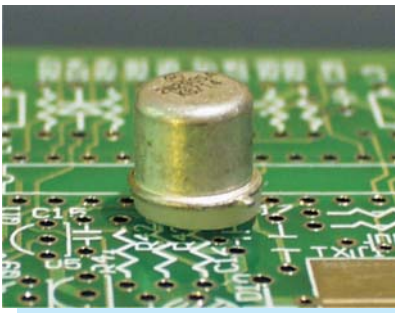


| PART NO | PACKAGE |
|---------|---------|
| TO-05 | 1000 |

TRANSISTOR WASHERS

PLASTECH

- MATERIAL:NYLON 66 (UL)
- FLAME CLASS :94V-2
- COLOR:NATURAL
- UNIT:mm

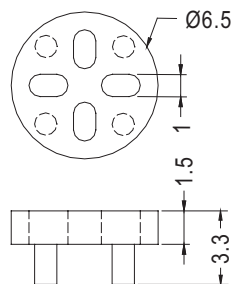


| PART NO | PACKAGE |
|---------|---------|
| TO-05S | 2000 |

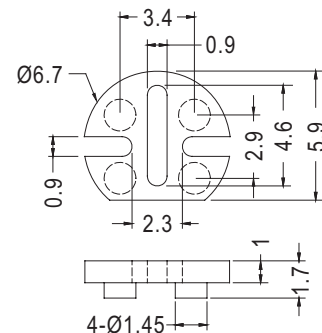
TRANSISTOR WASHERS

PLASTECH

- MATERIAL:NYLON 66 (UL)
- FLAME CLASS :94V-2
- COLOR:NATURAL
- UNIT:mm



| PART NO | PACKAGE |
|---------|---------|
| TO-18 | 1000 |



| PART NO | PACKAGE |
|---------|---------|
| TO-18S | 1000 |