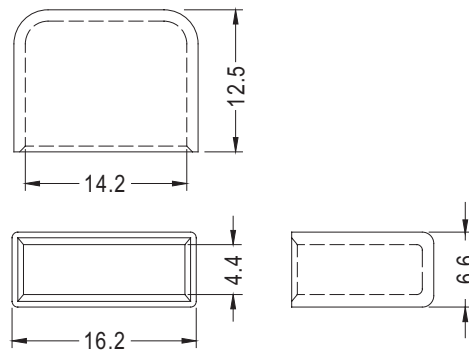


HDMI COVER

PLASTECH

- MATERIAL:PE
- COLOR:NATURAL
- UNIT:mm

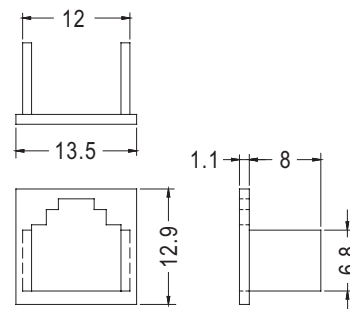
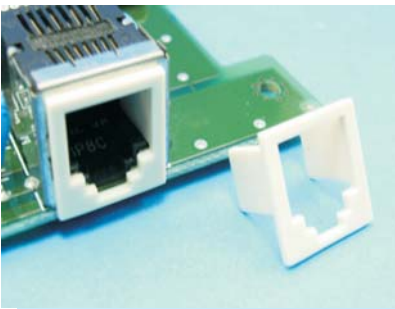


PART NO	PACKAGE
HDMIT-1	1000

CONNECTOR COVER

PLASTECH

- MATERIAL:ABS (UL)
- FLAME CLASS:94HB
- COLOR:IVORY/NATURAL
- UNIT:mm

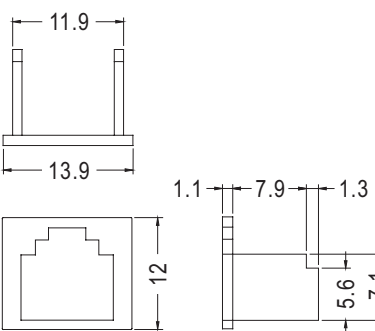
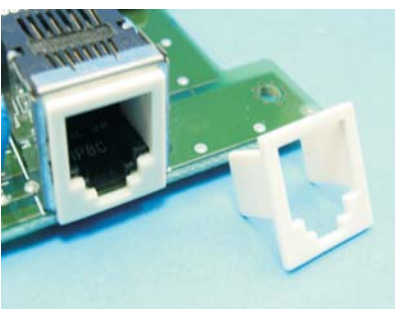


PART NO	PACKAGE
ASID-1	1000

CONNECTOR COVER

PLASTECH

- MATERIAL:ABS (UL)
- FLAME CLASS:94HB
- COLOR:IVORY/NATURAL
- UNIT:mm



PART NO	PACKAGE
ASID-2	1000