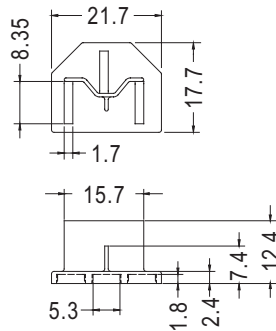


C SOCKET COVER

PLASTECH

- MATERIAL: NYLON 66 (UL)
- FLAME CLASS :94V-0/94V-2
- COLOR: BLACK
- UNIT: mm

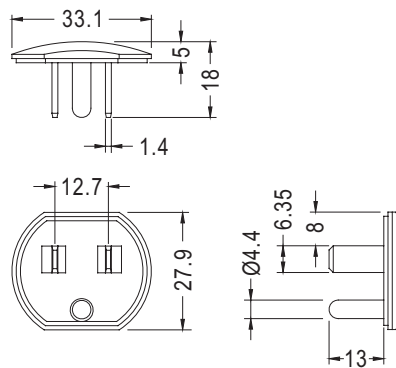


PART NO	PACKAGE
PLCD-1	500

POWER CONNECTOR COVER

PLASTECH

- MATERIAL: ABS (UL)
- FLAME CLASS: 94HB
- COLOR: BLACK
- UNIT: mm



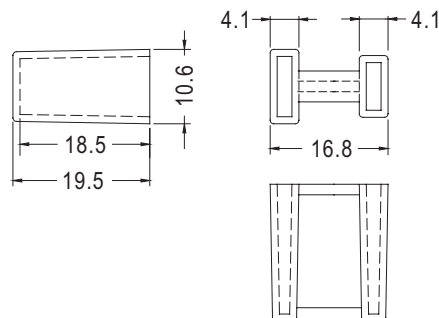
PART NO	PACKAGE
PLCC-2	500

OUTLET SET

PLASTECH

7

- MATERIAL: PE
- COLOR: NATURAL
- UNIT: mm



PART NO	PACKAGE
PLCC-1	250