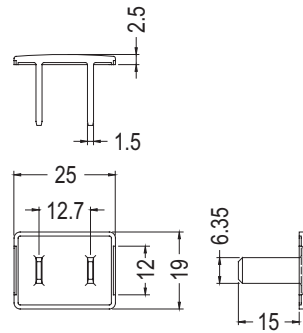


POWER CONNECTOR COVER

PLASTECH

- MATERIAL:PP
- COLOR:WHITE
- UNIT:mm



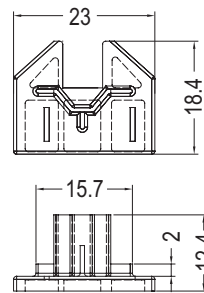
NEW

PART NO	PACKAGE
PLCC-3	500

C SOCKET COVER

PLASTECH

- MATERIAL:NYLON 66 (UL)
- FLAME CLASS:94V-0/94V-2
- COLOR:BLACK
- UNIT:mm



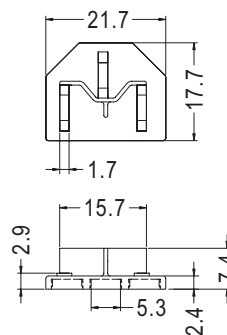
NEW

PART NO	PACKAGE
PLCD-2	500

C SOCKET COVER

PLASTECH

- MATERIAL:NYLON 66 (UL)
- FLAME CLASS:94V-0/94V-2
- COLOR:BLACK
- UNIT:mm



NEW

PART NO	PACKAGE
PLCD-3	500