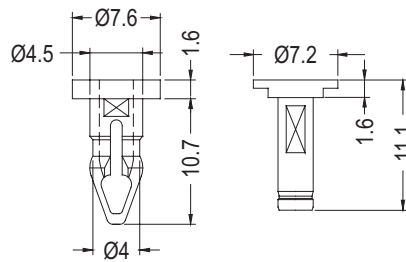


SNAP RIVET

PLASTECH

- MATERIAL: NYLON 66 (UL)
- FLAME CLASS: 94V-2
- COLOR: BLACK/NATURAL
- UNIT: mm



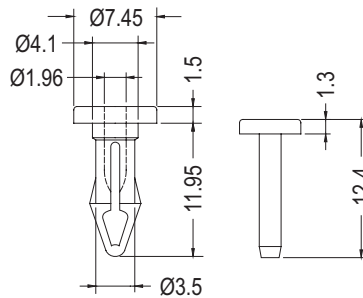
MOUNTING HOLE Ø4.6

PART NO	PACKAGE
SRCC-4	1000

SNAP RIVET

PLASTECH

- MATERIAL: NYLON 66 (UL)
- FLAME CLASS: 94V-2
- COLOR: BLACK
- UNIT: mm



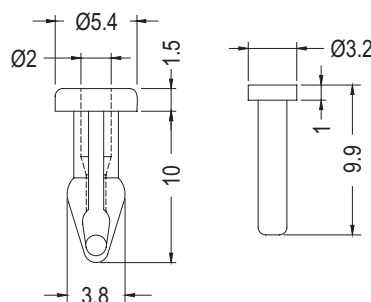
MOUNTING HOLE Ø4.1

PART NO	PACKAGE
SRCC-5	1000

SNAP RIVET

PLASTECH

- MATERIAL: NYLON 66 (UL)
- FLAME CLASS: 94V-2
- COLOR: BLACK
- UNIT: mm



MOUNTING HOLE Ø3.0

PART NO	PACKAGE
SRCC-7	1000