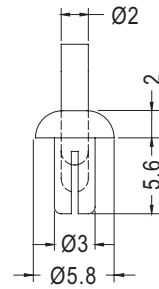


# SNAP RIVET

PLASTECH

- MATERIAL: NYLON 66 (UL)
- FLAME CLASS :94V-2
- COLOR:BLACK
- UNIT:mm



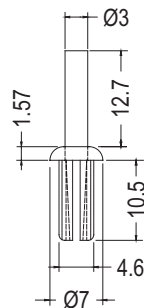
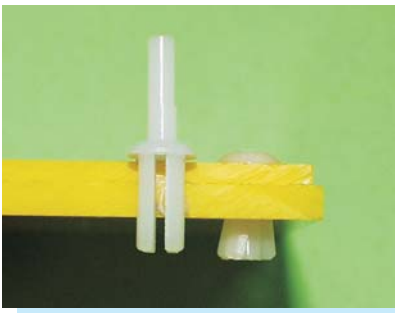
CHASSIS Ø3.0

PART NO	PACKAGE
PSR3-5.5	1000

# SNAP RIVET

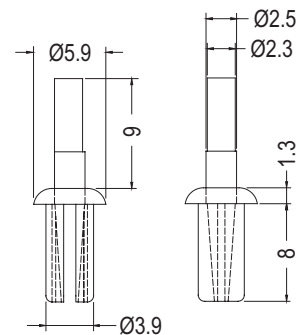
PLASTECH

- MATERIAL: NYLON 66 (UL)
- FLAME CLASS :94V-2
- COLOR:NATURAL
- UNIT:mm



CHASSIS Ø4.6~Ø4.8

PART NO	PACKAGE
PSR48-10	1000



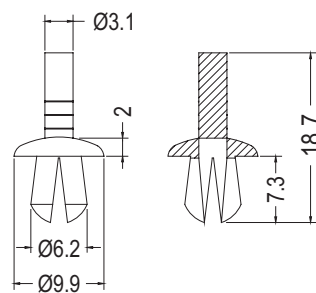
CHASSIS Ø4.0

PART NO	PACKAGE
PSR4-8	1000

# SNAP RIVET

PLASTECH

- MATERIAL: NYLON 66 (UL)
- FLAME CLASS :94V-2
- COLOR:NATURAL/BLACK
- UNIT:mm



CHASSIS Ø5.2

PART NO	PACKAGE
PSR5-7	1000