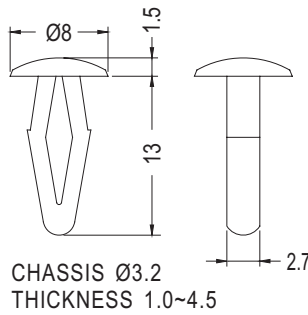


MOUNTING BUTTON

PLASTECH



- MATERIAL: POM (UL)
- FLAME CLASS: 94HB
- COLOR: NATURAL
- UNIT: mm



NEW

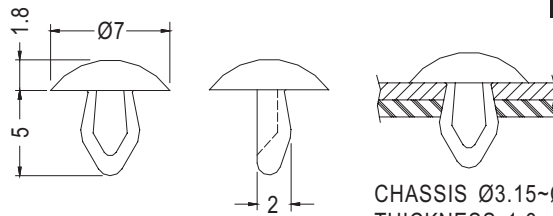
PART NO	PACKAGE
MB-28	2000

MOUNTING BUTTON

PLASTECH



- MATERIAL: NYLON 66 (UL)
- FLAME CLASS: 94V-2
- COLOR: NATURAL
- UNIT: mm



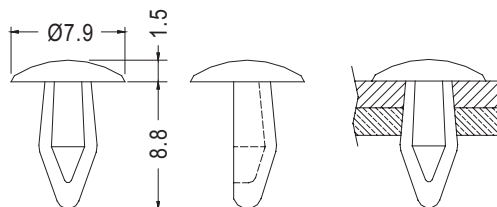
PART NO	PACKAGE
MB-4	2000

MOUNTING BUTTON

PLASTECH



- MATERIAL: NYLON 66 (UL)
- FLAME CLASS: 94V-2
- COLOR: NATURAL
- UNIT: mm



PART NO	PACKAGE
MB-5	2000

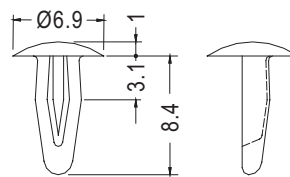
7

MOUNTING BUTTON

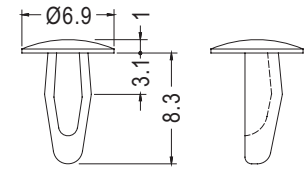
PLASTECH



- MATERIAL: NYLON 66 (UL)
- FLAME CLASS: 94V-2
- COLOR: NATURAL
- UNIT: mm



PART NO	PACKAGE
MB-6	2000



PART NO	PACKAGE
MB-7	2000