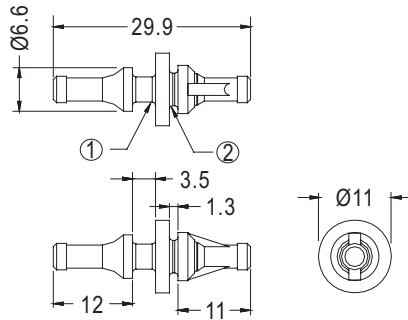
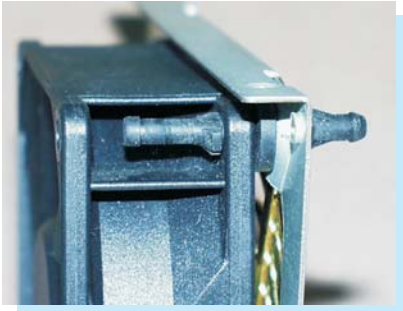
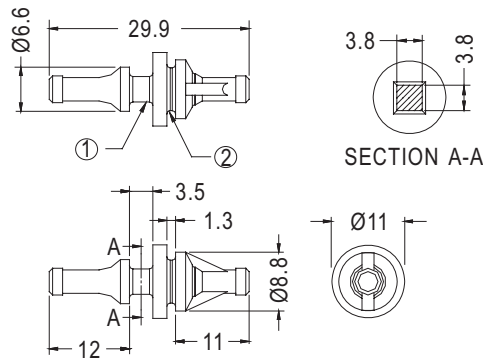


- MATERIAL:TPE
- COLOR:BLACK
- UNIT:mm



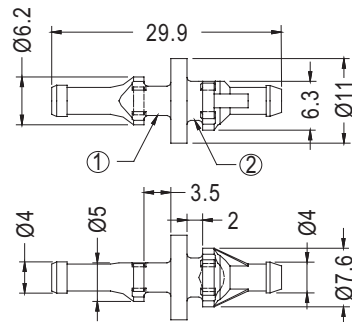
PART NO	PACKAGE
BUB-30	1000

- ① FAN MOUNTING HOLE $\text{Ø}4.3^{+0.2}_{-0.0}$ mm AND 3 TO 5.5mm THICKNESS.
- ② SUPPORT MOUNTING HOLE $\text{Ø}5\pm0.1$ mm AND 1 TO 2mm THICKNESS.



PART NO	PACKAGE
BUB-30L	1000

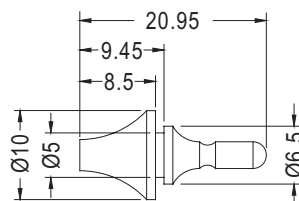
- ① FANS MOUNTING HOLE $\text{Ø}4.6\pm0.2$ mm AND 3 TO 5.5mm THICKNESS.
- ② SUPPORT MOUNTING HOLE $\text{Ø}6.5\pm0.1$ mm AND 1 TO 2mm THICKNESS.



PART NO	PACKAGE
BUB-29	1000

- ① FANS MOUNTING HOLE $\text{Ø}4.3\sim\text{Ø}4.5$ mm
CHASSIS THICKNESS 3.5~4mm
- ② SUPPORT MOUNTING HOLE $\text{Ø}4.5\sim4.8$ mm
CHASSIS THICKNESS 0.8~2mm

- MATERIAL:TPE
- COLOR:BLACK
- UNIT:mm



PART NO	PACKAGE
BUC-2	1000