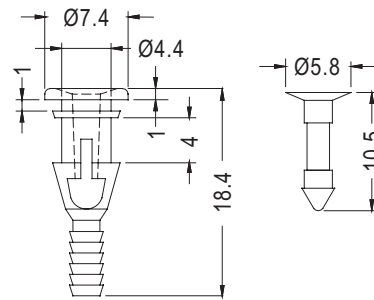


FAN SNAP RIVET

PLASTECH

- PIN MATERIAL: NYLON 66 (UL) 94V-2
- BODY MATERIAL: TPE
- COLOR: BLACK
- UNIT: mm



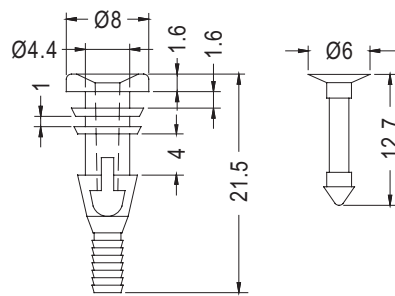
CHASSIS HOLE Ø4.8~Ø5.0

PART NO	PACKAGE
FSP-1	1000

FAN SNAP RIVET

PLASTECH

- PIN MATERIAL: NYLON 66 (UL) 94V-2
- BODY MATERIAL: TPE
- COLOR: BLACK
- UNIT: mm



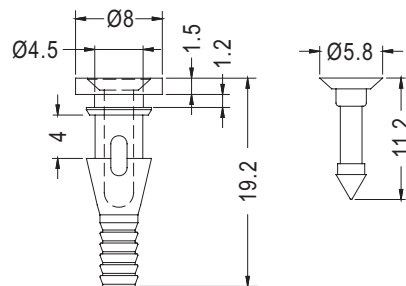
CHASSIS HOLE Ø4.8~Ø5.0

PART NO	PACKAGE
FSP-2	1000

FAN SNAP RIVET

PLASTECH

- PIN MATERIAL: NYLON 66 (UL) 94V-2
- BODY MATERIAL: TPE
- COLOR: BLACK
- UNIT: mm



MOUNTING HOLE Ø4.5

PART NO	PACKAGE
FSP-3	1000