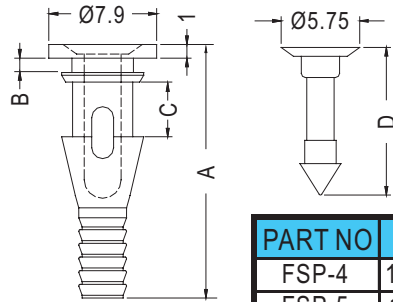


FAN SNAP RIVET

PLASTECH

- PIN MATERIAL: NYLON 66 (UL) 94V-2
- BODY MATERIAL: TPE
- COLOR: BLACK
- UNIT: mm

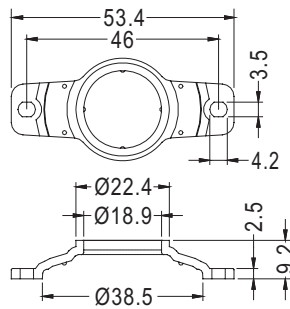
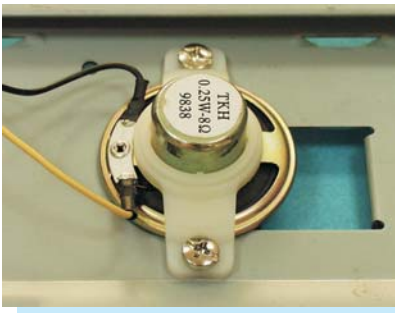


PART NO	A	B	C	D	CHASSIS	PACKAGE
FSP-4	18.55	1.05	3.9	10.8	Ø4.5~Ø4.7	1000
FSP-5	14.3	0.9	3.9	10.8	Ø4.5~Ø4.7	
FSP-6	20.1	1.6	5.0	12.1	Ø4.5	

SPEAKER HOLDER

PLASTECH

- MATERIAL: NYLON 66 (UL)
- FLAME CLASS: 94V-2
- COLOR: NATURAL
- UNIT: mm

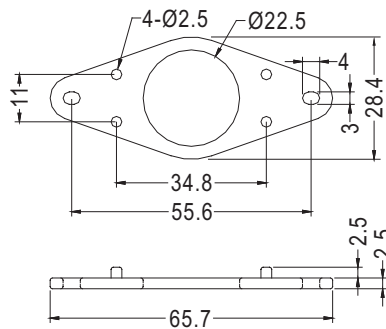


PART NO	PACKAGE
SPK-2	250

SPEAKER HOLDER

PLASTECH

- MATERIAL: NYLON 66 (UL)
- FLAME CLASS: 94V-2
- COLOR: NATURAL
- UNIT: mm



PART NO	PACKAGE
SPK-1	250