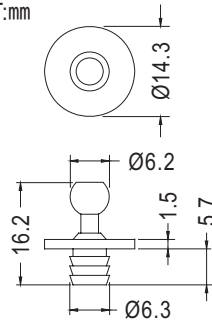


LOUDSPEAKER BUCKLE

PLASTECH

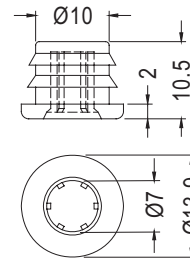
- MATERIAL: NYLON 66 (UL)
- FLAME CLASS :94V-2
- COLOR:BLACK
- UNIT:mm



CHASSIS Ø6.1
THICKNESS 6.4

PART NO	PACKAGE
SPLK-1FB	500

- MATERIAL:TPE
- COLOR:BLACK
- UNIT:mm



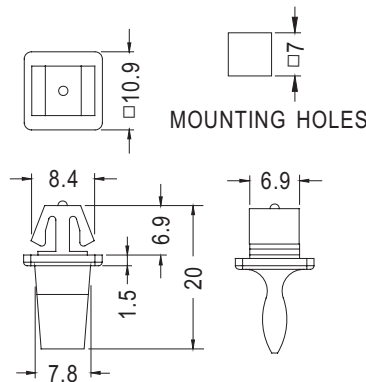
CHASSIS Ø10.5
THICKNESS 2.5

PART NO	PACKAGE
SPLK-1FA	500

DOOR LOCK TIP

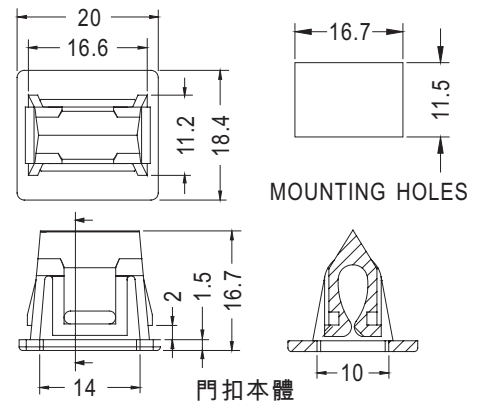
PLASTECH

- MATERIAL: NYLON 66 (UL)
- FLAME CLASS :94V-2
- COLOR:BLACK
- UNIT:mm



PART NO	PACKAGE
DTTL-1B	500

- MATERIAL:POM (UL)
- COLOR:BLACK
- UNIT:mm



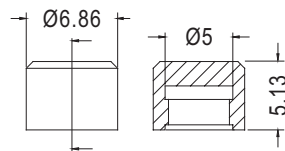
PART NO	PACKAGE
DTTL-1A	500

7

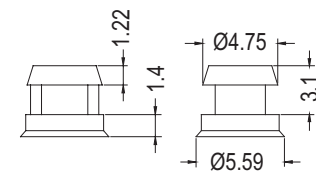
SNAP LATCH

PLASTECH

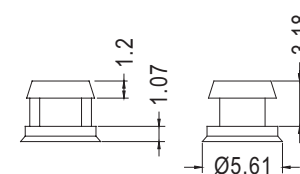
- MATERIAL: NYLON 66 (UL)
- FLAME CLASS :94V-2
- COLOR:WHITE/NATURAL
- UNIT:mm



PART NO	PACKAGE
LO-6052B	1000



PART NO	PACKAGE
LO-6053A	1000



PART NO	PACKAGE
LO-6052A	1000