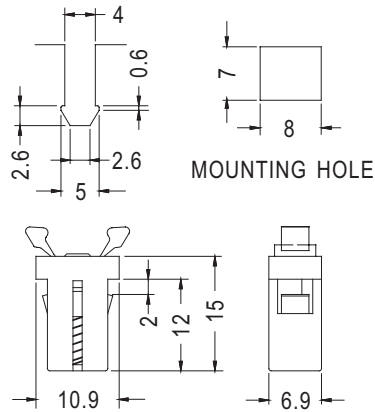


DOOR LOCK

PLASTECH

- CATCHER MAT'L:NYLON 66 (UL) 94V-2
- CASE MAT'L:POM (UL) 94HB
- COLOR:BLACK/GRAY
- UNIT:mm

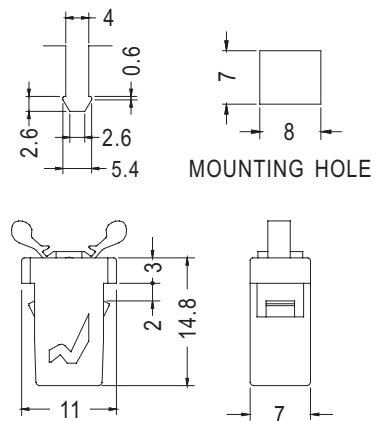
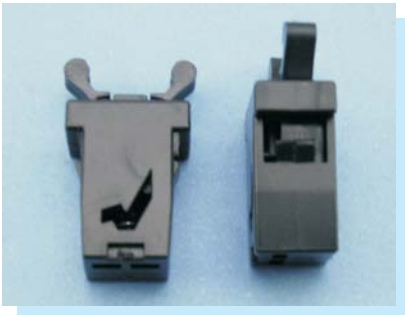


PART NO	PACKAGE
DT-1	500

DOOR LOCK

PLASTECH

- CATCHER MAT'L:NYLON 66 (UL) 94V-2
- CASE MAT'L:POM (UL) 94HB
- COLOR:BLACK
- UNIT:mm

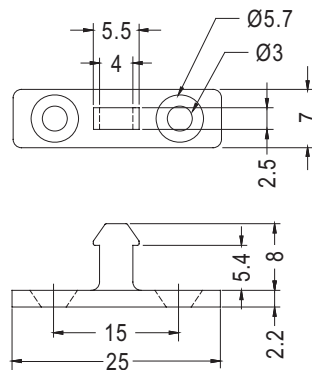


PART NO	PACKAGE
DT-4	500

DOOR LOCK

PLASTECH

- MATERIAL:ABS (UL)
- FLAME CLASS:94HB
- COLOR:BLACK
- UNIT:mm



PART NO	PACKAGE
DTA-1	500