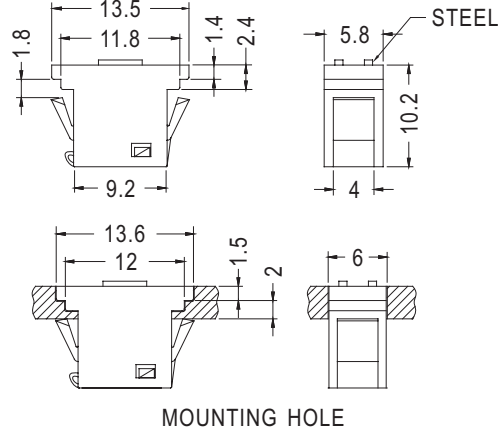


# MAGNET DOOR LOCK

PLASTECH

- MATERIAL: NYLON 66(UL)94V-2
- CLIP MATERIAL: SP
- COLOR: BLACK
- UNIT: mm

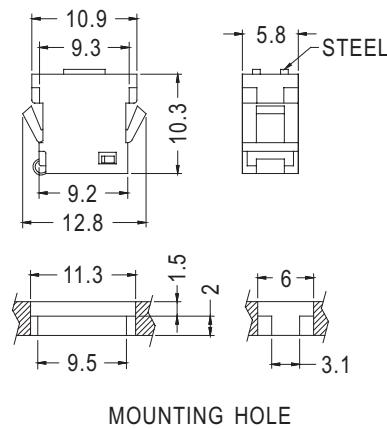


PART NO	PACKAGE
DTM-1	500

# MAGNET DOOR LOCK

PLASTECH

- MATERIAL: NYLON 66(UL)94V-2
- CLIP MATERIAL: SP
- COLOR: BLACK
- UNIT: mm



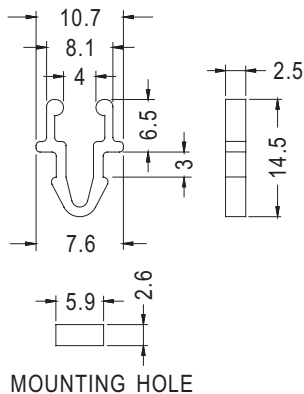
PART NO	PACKAGE
DTM-2	500

# DOOR LOCK

PLASTECH

7

- MATERIAL: NYLON 66 (UL)
- FLAME CLASS: 94V-2
- COLOR: BLACK
- UNIT: mm



PART NO	PACKAGE
DT-10	2000