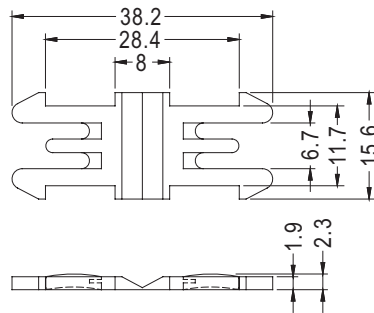


DOOR LOCK

PLASTECH

- MATERIAL:NYLON 66 (UL)
- FLAME CLASS:94V-2
- COLOR:BLACK
- UNIT:mm

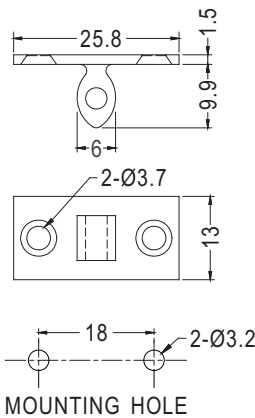
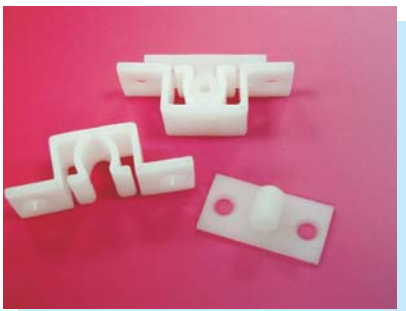


PART NO	PACKAGE
DT-11	500

DOOR LOCK

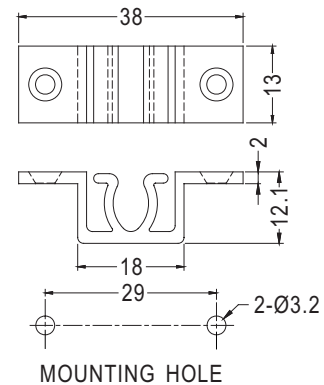
PLASTECH

- MATERIAL:NYLON 66 (UL)
- FLAME CLASS:94V-2
- COLOR:NATURAL
- UNIT:mm



PART NO	PACKAGE
DTA-42	500

- MATERIAL:POM (UL)
- FLAME CLASS:94HB
- COLOR:NATURAL
- UNIT:mm

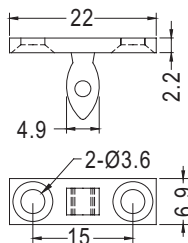


PART NO	PACKAGE
DT-42	500

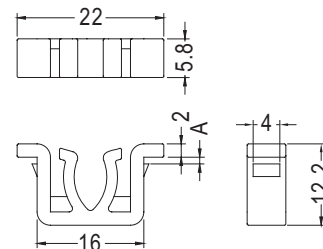
DOOR LOCK TIP

PLASTECH

- MATERIAL:ABS (UL)
- FLAME CLASS:94HB
- COLOR:NATURAL
- UNIT:mm



PART NO	PACKAGE
DT-45A	500



PART NO	A	PACKAGE
DT-45B	1.0	500
★DT-45BL	1.1	

