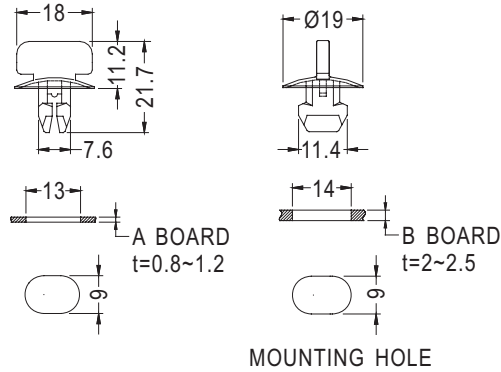


DOOR LOCK

PLASTECH

- MATERIAL: NYLON 66 (UL)
- FLAME CLASS: 94V-2
- COLOR: BLACK
- UNIT: mm

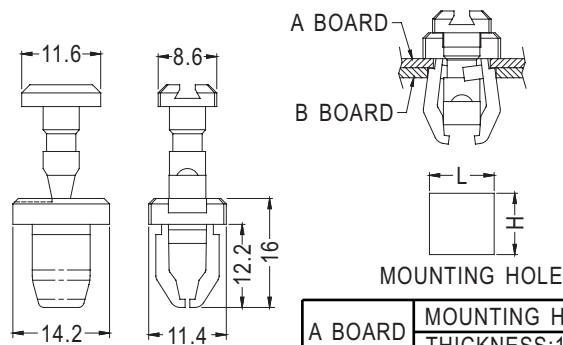


| PART NO | PACKAGE |
|---------|---------|
| TF-1 | 200 |

SNAP LATCH

PLASTECH

- MATERIAL: PC (UL)
- FLAME CLASS: 94V-2
- COLOR: BLACK
- UNIT: mm



| PART NO | PACKAGE |
|---------|---------|
| TFA-2 | 200 |

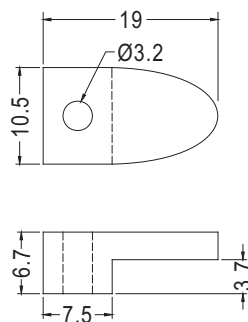
| | |
|---------|--|
| A BOARD | MOUNTING HOLE (LxH): 9x9 THICKNESS: 1.2~1.5 |
| B BOARD | MOUNTING HOLE (LxH): 9.5x9 THICKNESS: 1.2~1.5 |

7

COLLUDE

PLASTECH

- MATERIAL: PC (UL)
- FLAME CLASS: 94V-2
- COLOR: TRANSPARENT
- UNIT: mm



| PART NO | PACKAGE |
|---------|---------|
| HW2839 | 1000 |