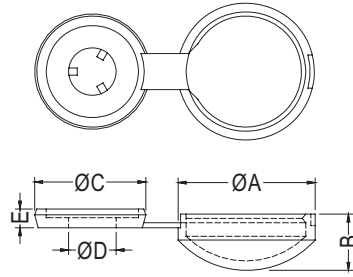


# SCREX CAP

PLASTECH

- MATERIAL: NYLON 66 (UL)
- FLAME CLASS: 94V-2
- COLOR: WHITE/BLACK
- UNIT: mm

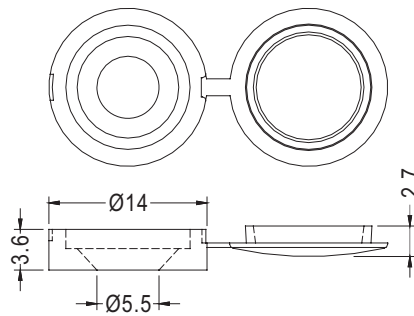


PART NO	A	B	C	D	E	PACKAGE
SCW-1	9.8	4.1	8.0	3.3	1.3	1000
SCW-2	13.3	4.1	11.6	4.3	1.4	

# SCREW CAP

PLASTECH

- MATERIAL: NYLON 66 (UL)
- FLAME CLASS: 94V-2
- COLOR: WHITE/BLACK
- UNIT: mm



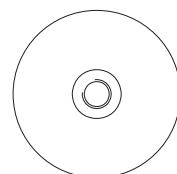
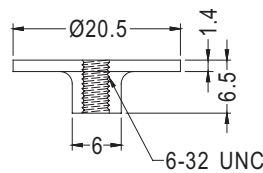
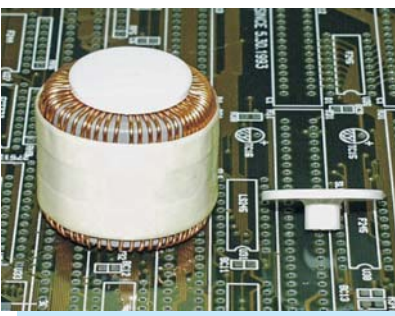
PART NO	PACKAGE
SCW-3	1000

# COIL HOLDER

PLASTECH

7

- MATERIAL: PBT (UL)
- FLAME CLASS: 94V-0
- COLOR: NATURAL
- UNIT: mm



PART NO	PACKAGE
TRMH-20	500