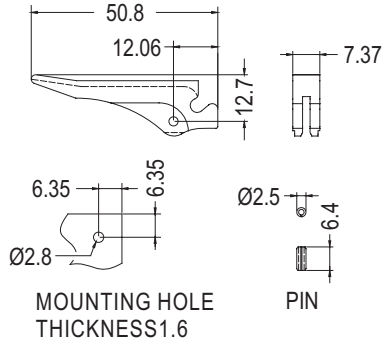


CARD PULLER

PLASTECH

- MATERIAL: NYLON 66 (UL)
- FLAME CLASS: 94V-0/94V-2
- PIN MATERIAL: STEEL
- COLOR: BLACK
- UNIT: mm

NEW

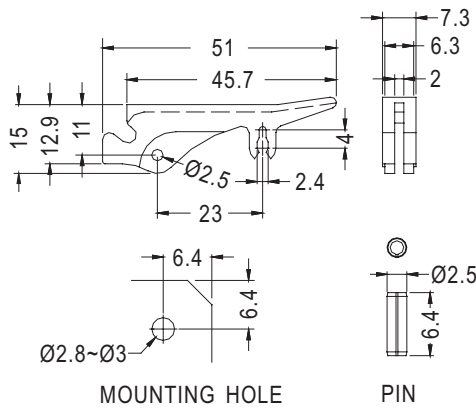


| PART NO | PACKAGE |
|---------|---------|
| CP-38 | 1000 |

CARD PULLER

PLASTECH

- MATERIAL: NYLON 66 (UL)
- FLAME CLASS: 94V-2
- COLOR: NATURAL/BLACK
- UNIT: mm



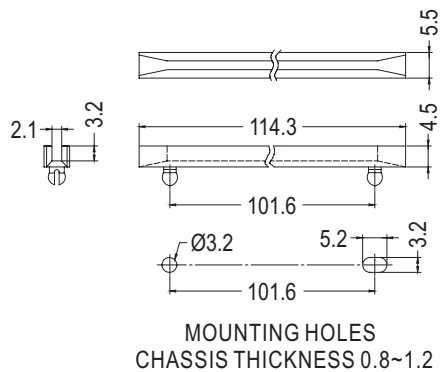
| PART NO | PACKAGE |
|---------|---------|
| CP-37 | 250 |

CARD GUIDE

PLASTECH

- MATERIAL: NYLON 66 (UL)
- FLAME CLASS: 94V-2
- COLOR: NATURAL
- UNIT: mm

NEW



| PART NO | PACKAGE |
|---------|---------|
| CG-450S | 500 |