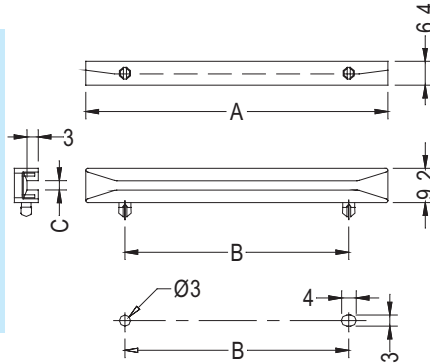
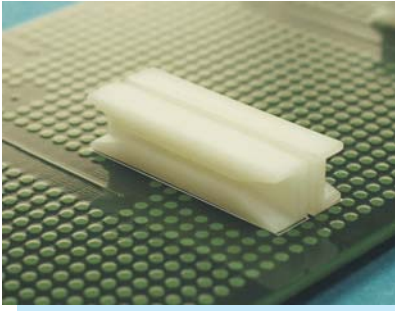


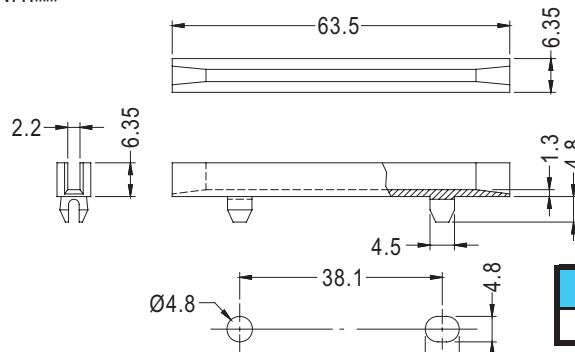
- MATERIAL: NYLON 66(UL)
- FLAME CLASS: 94V-2
- COLOR: NATURAL
- UNIT: mm



PART NO	A	B	C	PACKAGE
CGL-4	38.4	20.0	2.0	500
CGL-8	81.0	60.0	2.5	250

MOUNTING HOLES

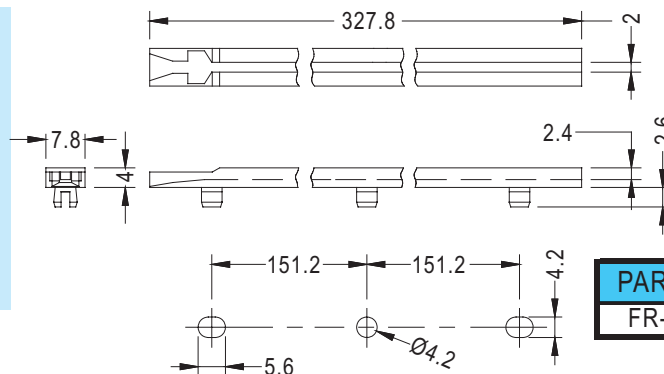
- MATERIAL: NYLON 66(UL)
- FLAME CLASS: 94V-2 / 94V-0
- COLOR: BLACK/WHITE
- UNIT: mm



PART NO	PACKAGE
BCG-250	500

MOUNTING HOLES

- MATERIAL: NYLON 66(UL)
- FLAME CLASS: 94V-2
- COLOR: RED
- UNIT: mm



PART NO	PACKAGE
FR-1300	100

MOUNTING HOLES

