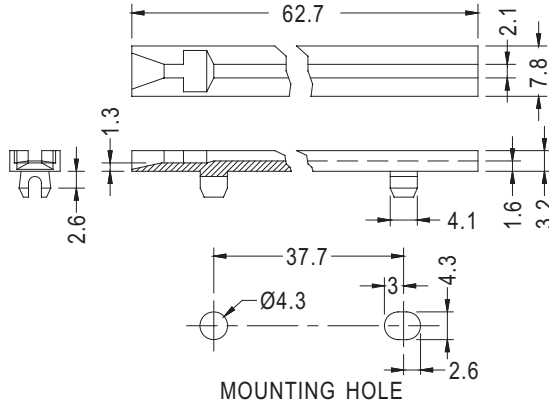
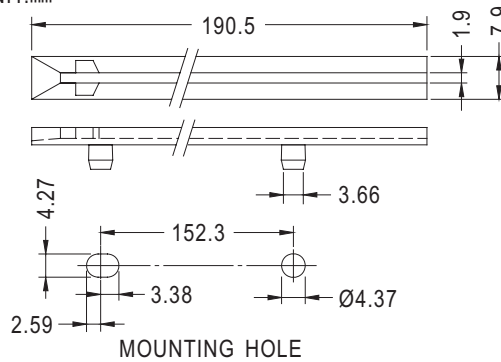
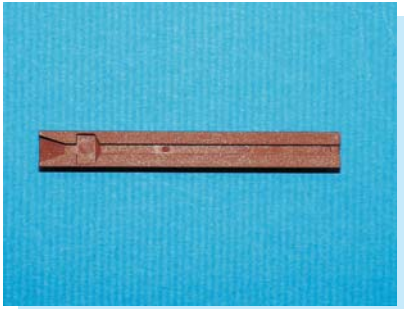


- MATERIAL: NYLON 66 (UL)
- FLAME CLASS: 94V-2
- COLOR: RED
- UNIT: mm



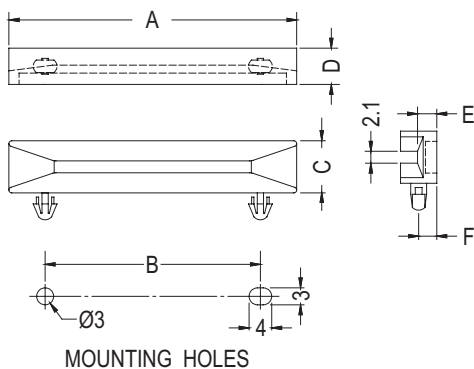
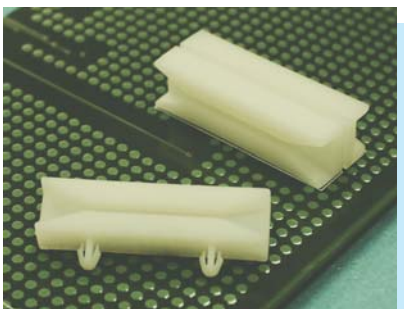
PART NO	PACKAGE
FR-250	500

- MATERIAL: NYLON 66 (UL)
- FLAME CLASS: 94V-0/94V-2
- COLOR: NATURAL
- UNIT: mm



PART NO	PACKAGE
FR-190	500

- MATERIAL: NYLON 66 (UL)
- FLAME CLASS: 94V-2
- COLOR: NATURAL
- UNIT: mm



PART NO	A	B	C	D	E	F	P.C.B THICKNESS	PACKAGE
CGLA-4							1.6~1.7	500
CGLA-4(1)	38.4	20.0	9.2	6.4	3.4	3.2	1.0	
CGLA-4(2)							2.0	
CGLA-4S	40.0	20.0	8.0	6.0	3.0	3.0	1.6	250
CGLA-6	51.0	38.2	9.2	6.4	3.4	3.2	1.6~1.7	
CGLA-8	81.0	60.0	8.0	6.0	3.0	3.0	1.6~1.8	
CGLA-8(2)							1.8~2.1	
CGLA-8(8)							1.8	
CGLA-8(25)							2.5	250
CGLA-9(1)	91.5	71.0					1.6~1.8	
CGLA-9(2)							1.8~2.1	