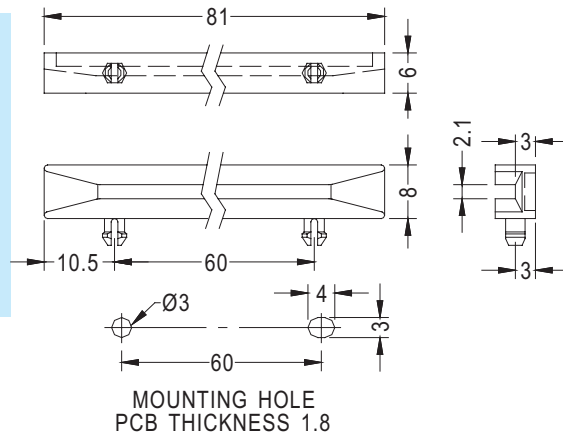


CARD GUIDE

PLASTECH

- MATERIAL: NYLON 66(UL)
- FLAME CLASS: 94V-2
- COLOR: NATURAL
- UNIT: mm

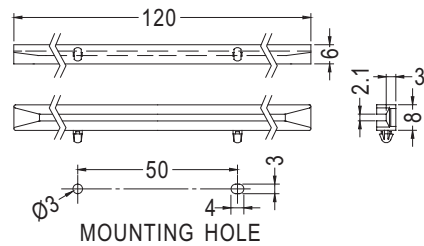


PART NO	PACKAGE
CGLC-8	500

CARD GUIDE

PLASTECH

- MATERIAL: NYLON 66(UL)
- FLAME CLASS :94V-2
- COLOR:NATURAL
- UNIT:mm

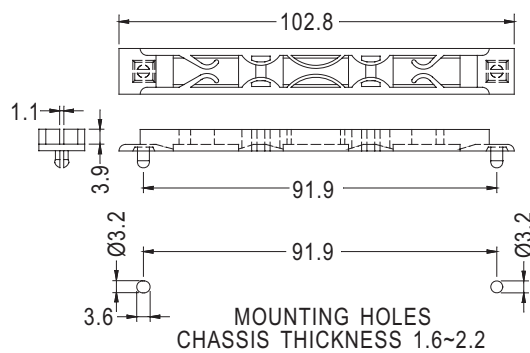


PART NO	CHASSIS THICKNESS	PACKAGE
CGLC-120	1.6~1.8	200
CGLC-120S	1.0	

CARD GUIDE

PLASTECH

- MATERIAL: NYLON 66(UL)
- FLAME CLASS:94V-2
- COLOR:BLACK
- UNIT:mm



PART NO	PACKAGE
CG-10A	250