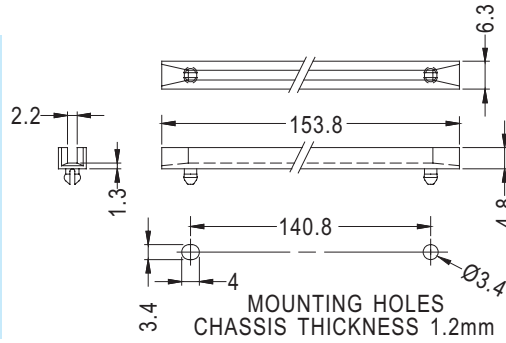
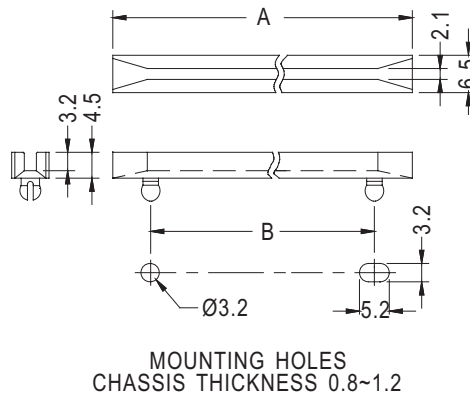
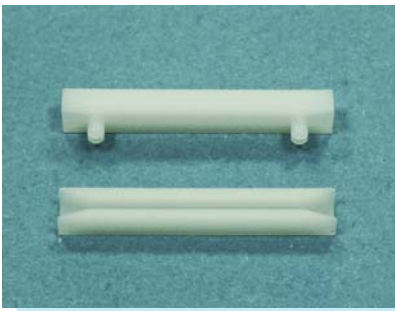


- MATERIAL: NYLON 66(UL)
- FLAME CLASS: 94V-2
- COLOR: NATURAL/BLACK
- UNIT: mm



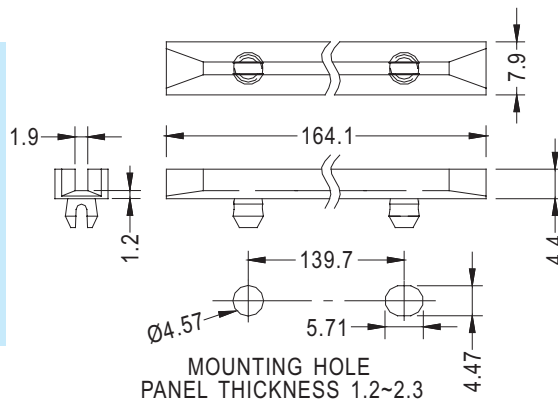
PART NO	PACKAGE
CG-153	100

- MATERIAL: NYLON 66(UL)
- FLAME CLASS: 94V-2
- COLOR: NATURAL/BLACK
- UNIT: mm



PART NO	A	B	PACKAGE
CG-250	63.5	50.8	500
CG-300	76.2	63.5	
CG-350	88.9	76.2	250
CG-400	101.6	88.9	200
CG-450	114.3	101.6	
CG-500	127.0	114.3	
CG-550	139.7	127.0	
CG-600	152.4	139.7	

- MATERIAL: NYLON 66(UL)
- FLAME CLASS: 94V-2
- COLOR: NATURAL/BLACK
- UNIT: mm



PART NO	PACKAGE
CG-650	500