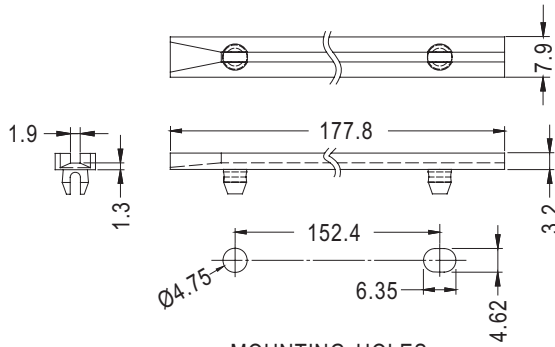


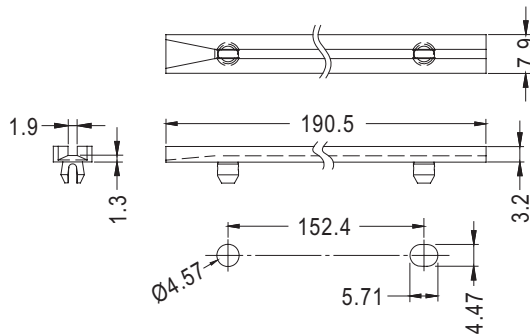
- MATERIAL: NYLON 66 (UL)
- FLAME CLASS: 94V-0/94V-2
- COLOR: NATURAL
- UNIT: mm



PART NO	PACKAGE
CG-700	100

MOUNTING HOLES
CHASSIS THICKNESS 1.2~2.3mm

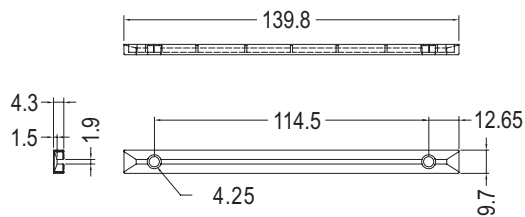
- MATERIAL: NYLON 66 (UL)
- FLAME CLASS: 94V-0/94V-2
- COLOR: NATURAL
- UNIT: mm



PART NO	PACKAGE
CG-750	100

MOUNTING HOLES
CHASSIS THICKNESS 1.2~2.3mm

- MATERIAL: NYLON 66 (UL)
- FLAME CLASS: 94V-2
- COLOR: NATURAL
- UNIT: mm



PART NO	PACKAGE
CGB-140	250

NEW