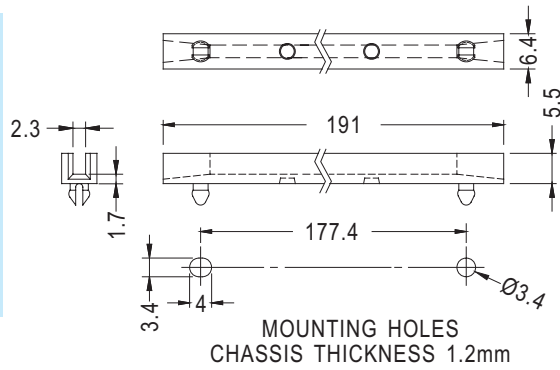
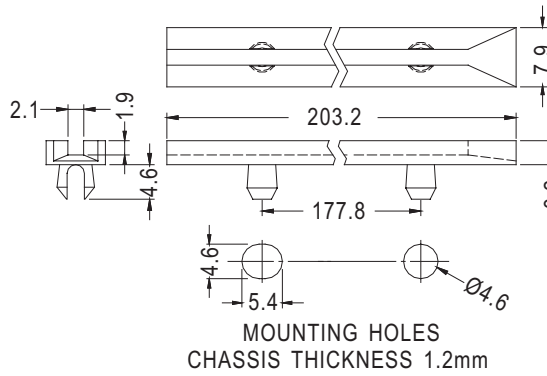


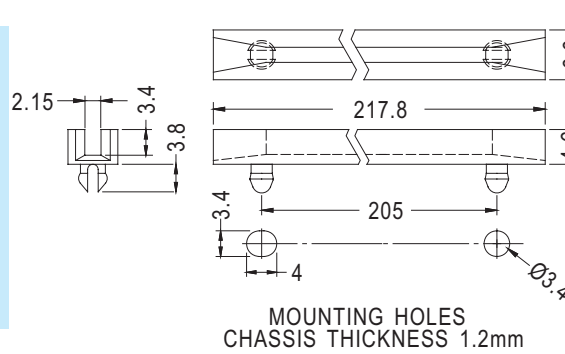
- MATERIAL:NYLON 66 (UL)
- FLAME CLASS:94V-2
- COLOR:NATURAL
- UNIT:mm



PART NO	PACKAGE
CG-191	100

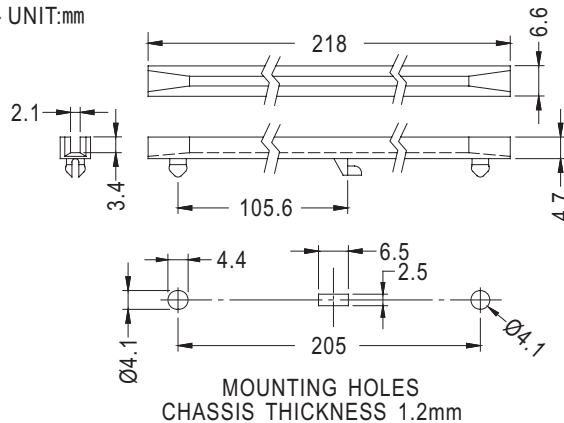


PART NO	PACKAGE
CG-203	100



PART NO	PACKAGE
CG-218	100

- MATERIAL:PC (UL)
- FLAME CLASS:94V-2
- COLOR:BLACK
- UNIT:mm



PART NO	PACKAGE
CGF-218	100