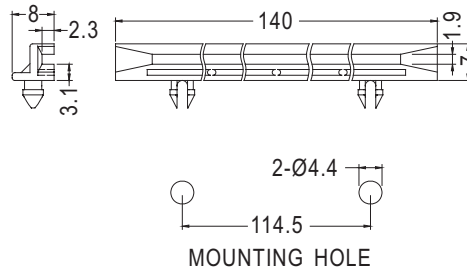
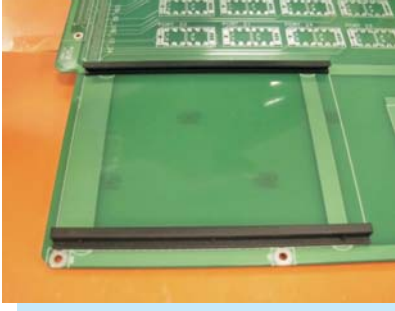
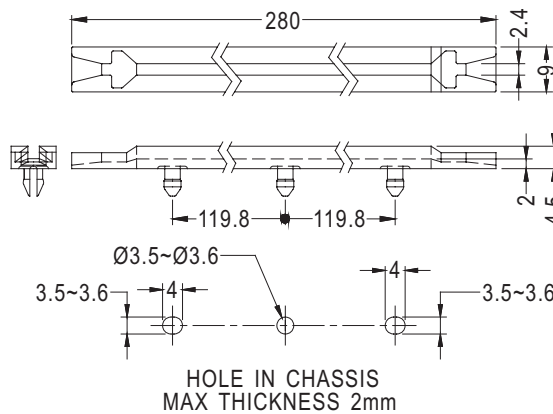


- MATERIAL:NYLON 66 (UL)
- FLAME CLASS:94V-2
- COLOR:BLACK
- UNIT:mm



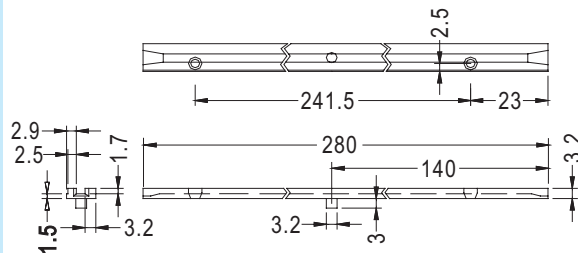
PART NO	PACKAGE
CGA-140	100

- MATERIAL:NYLON 66 (UL)
- FLAME CLASS:94V-2
- COLOR:BLACK/NATURAL
- UNIT:mm



PART NO	PACKAGE
CG-280	100

- MATERIAL:NYLON 66 (UL)
- FLAME CLASS:94V-2
- COLOR:BLACK
- UNIT:mm



PART NO	PACKAGE
CGS-280	100