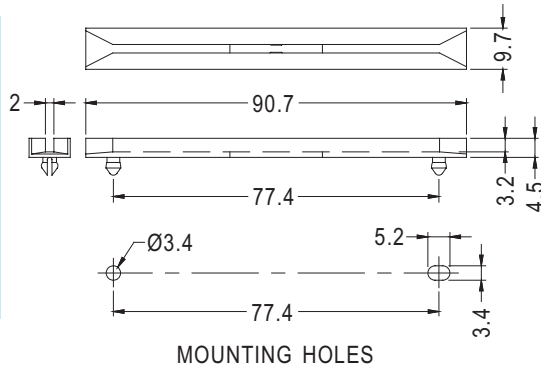
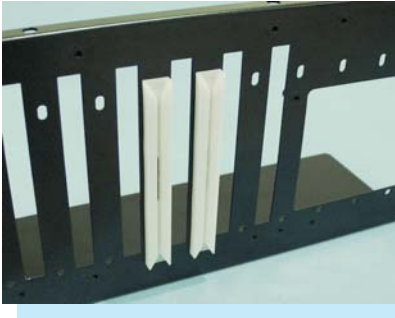


# CARD GUIDE

PLASTECH

- MATERIAL: NYLON 66 (UL)
- FLAME CLASS: 94V-2
- COLOR: NATURAL/BLACK
- UNIT: mm

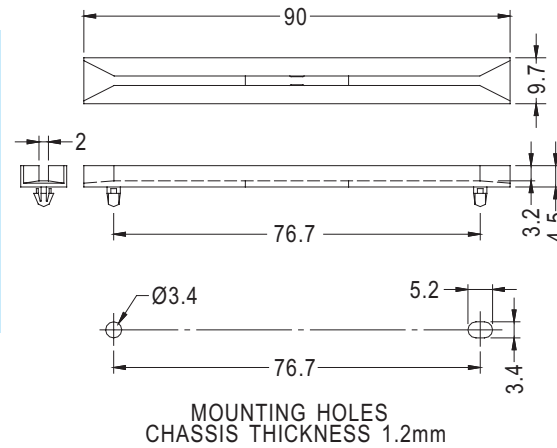


PART NO	PACKAGE
CG-9A	250

# CARD GUIDE

PLASTECH

- MATERIAL: NYLON 66 (UL)
- FLAME CLASS: 94V-2
- COLOR: NATURAL/BLACK
- UNIT: mm

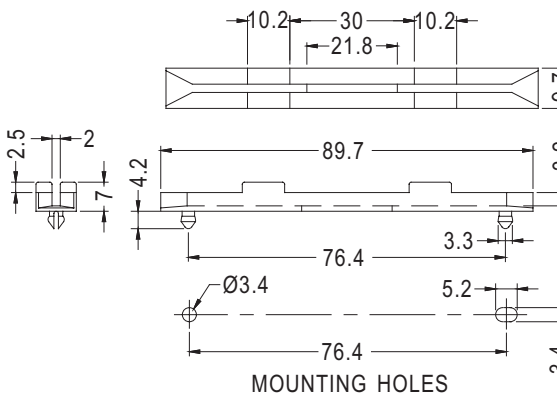
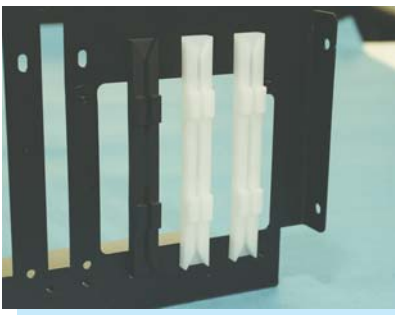


PART NO	PACKAGE
CG-9B	250

# CARD GUIDE

PLASTECH

- MATERIAL: NYLON 66 (UL)
- FLAME CLASS: 94V-2
- COLOR: NATURAL/BLACK
- UNIT: mm



PART NO	PACKAGE
CG-9AL	250