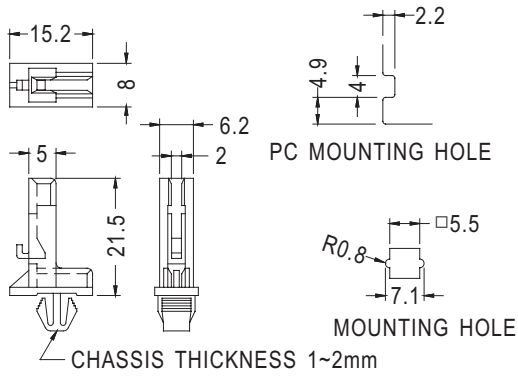
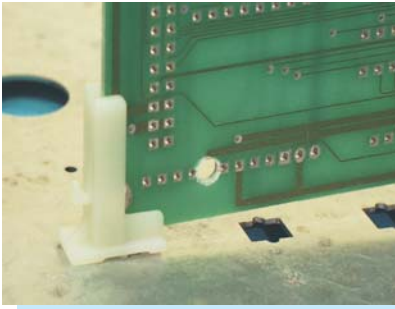
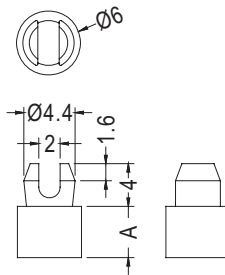
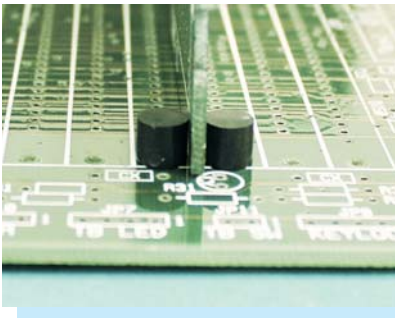


- MATERIAL:NYLON 66 (UL)
- FLAME CLASS:94V-2
- COLOR:NATURAL
- UNIT:mm



PART NO	PACKAGE
CGH-1	500

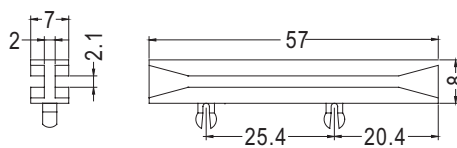
- MATERIAL:NYLON 66 (UL)
- FLAME CLASS:94V-2
- COLOR:BLACK
- UNIT:mm



HOLE IN CHASSIS ∅4.3
BOARD THICKNESS 1.2~2.3

PART NO	A	PACKAGE
CGB-2	2.0	2000
CGB-6	4.8	

- MATERIAL:NYLON 66 (UL)
- FLAME CLASS :94V-2
- COLOR:BLACK/NATURAL
- UNIT:mm



CHASSIS ∅3.0
THICKNESS 1.8

PART NO	PACKAGE
CGDLB-57	500