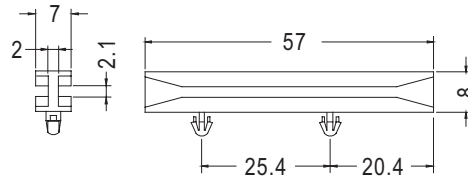
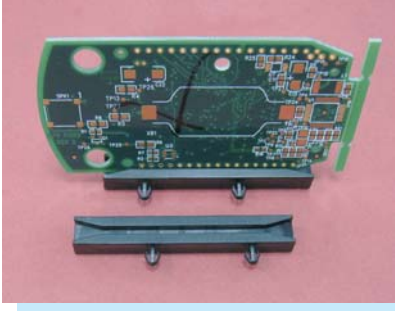


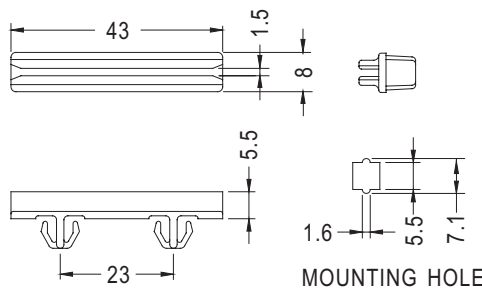
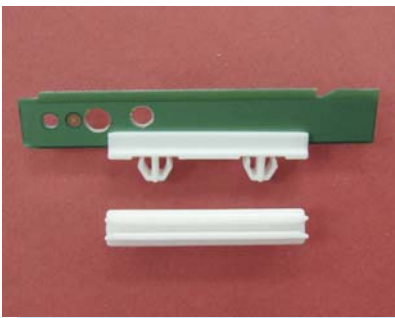
- MATERIAL: NYLON 66 (UL)
- FLAME CLASS :94V-2
- COLOR:BLACK/NATURAL
- UNIT:mm



CHASSIS Ø3.0
THICKNESS 1.8

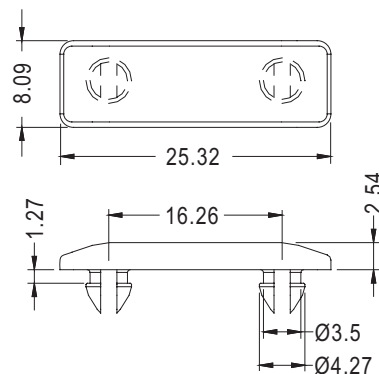
PART NO	PACKAGE
CGDLA-57	500

- MATERIAL: NYLON 66 (UL)
- FLAME CLASS :94V-0/94V-2
- COLOR:NATURAL
- UNIT:mm



PART NO	PACKAGE
CGC-43	500

- MATERIAL: NYLON 66 (UL)
- FLAME CLASS:94V-2
- COLOR:BLACK
- UNIT:mm



PART NO	PACKAGE
INTEC-1	500