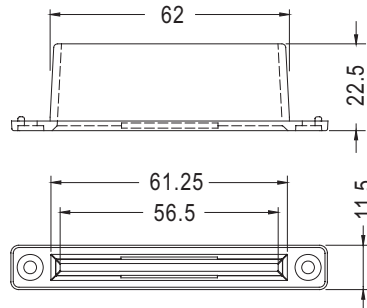


CARD BEZEL

PLASTECH

- MATERIAL:ABS (UL)
- FLAME CLASS:94HB
- COLOR:BLACK
- UNIT:mm

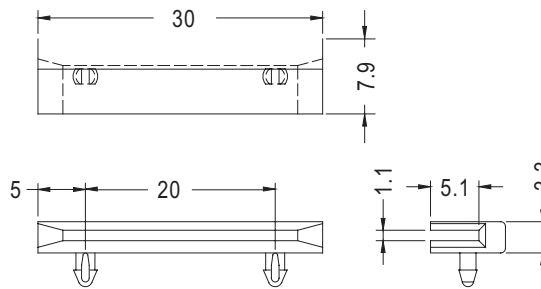


| PART NO | PACKAGE |
|----------|---------|
| CRDCV-56 | 100 |

CARD GUIDE

PLASTECH

- MATERIAL:NYLON 66 (UL)
- FLAME CLASS:94V-2
- COLOR:BLACK
- UNIT:mm



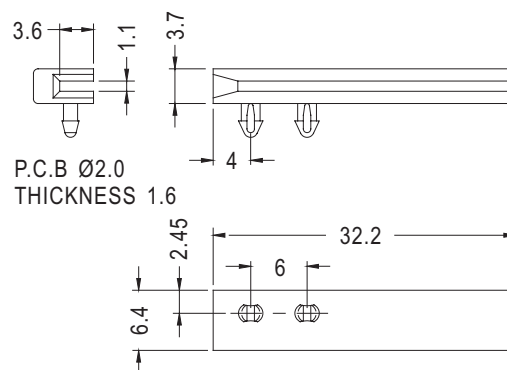
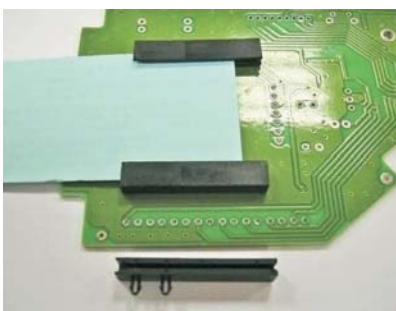
P.C.B Ø2.0
THICKNESS 1.6

| PART NO | PACKAGE |
|---------|---------|
| CGLC-30 | 500 |

CARD GUIDE

PLASTECH

- MATERIAL:NYLON 66 (UL)
- FLAME CLASS:94V-2
- COLOR:BLACK
- UNIT:mm



P.C.B Ø2.0
THICKNESS 1.6

CGLC-32-1
CGLC-32-2

| PART NO | PACKAGE |
|---------|---------|
| CGLC-32 | 500 |