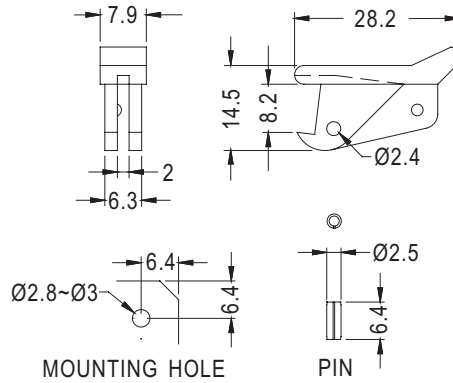


CARD PULLER

PLASTECH

- MATERIAL: NYLON 66 (UL)
- FLAME CLASS: 94V-2
- COLOR: NATURAL
- UNIT: mm

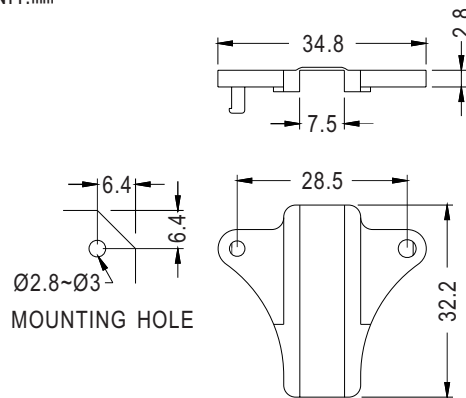


PART NO	PACKAGE
CP-30	1000

CARD PULLER

PLASTECH

- MATERIAL: NYLON 66 (UL)
- FLAME CLASS: 94V-2
- COLOR: NATURAL
- UNIT: mm

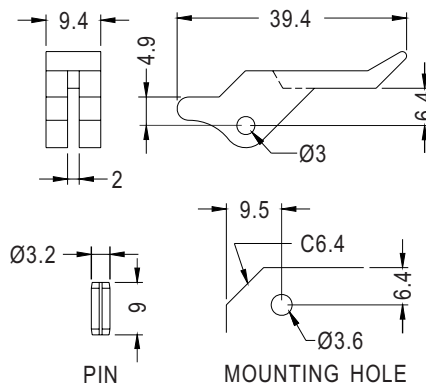


PART NO	PACKAGE
CP-35	500

CARD PULLER

PLASTECH

- MATERIAL: NYLON 66 (UL) / POM (UL)
- FLAME CLASS: 94V-2/94HB
- COLOR: NATURAL
- UNIT: mm



PART NO	PACKAGE
CP-50	500