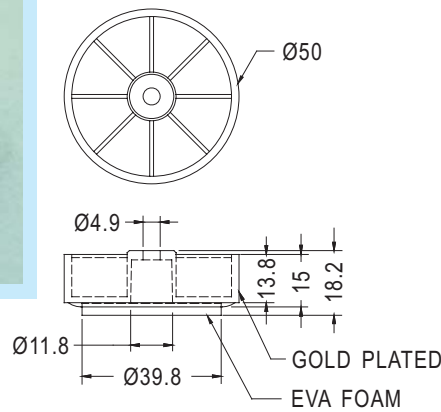
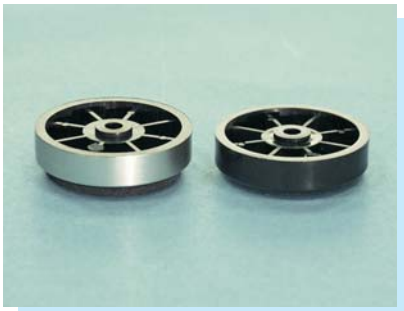
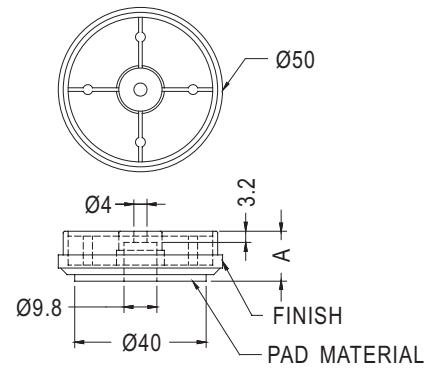


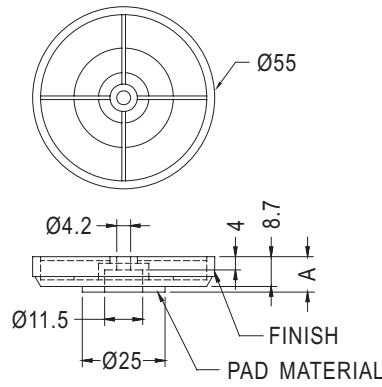
- HOUSING MATERIAL:ABS
- COLOR:BLACK
- UNIT:mm



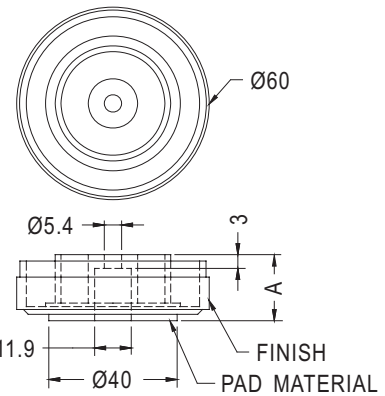
| PART NO |
|---------|
| RS-50-2 |



| PART NO | A | PAD MATERIAL | FINISH |
|------------|------|--------------|---------------|
| RS-50 | 14.8 | EVA | GOLD PLATED |
| RS-50(RU) | 14.0 | RUBBER | |
| RS-50N | 14.8 | EVA | SILVER PLATED |
| RS-50N(RU) | 14.0 | RUBBER | |
| RS-50(S) | 14.8 | EVA | |
| RS-50S(RU) | 14.0 | RUBBER | |

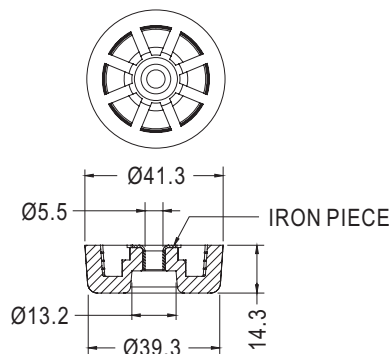


| PART NO | A | PAD MATERIAL | FINISH |
|------------|------|--------------|---------------|
| RS-55 | 10.7 | EVA | GOLD PLATED |
| RS-55(S) | | | SILVER PLATED |
| RS-55S(RU) | 9.7 | RUBBER | |



| PART NO | A | PAD MATERIAL | FINISH |
|------------|------|--------------|---------------|
| RS-60N | 20.0 | EVA | GOLD PLATED |
| RS-60 | | | 鍍黑灰色 |
| RS-60(S) | | | SILVER PLATED |
| RS-60(S)RU | 19.3 | RUBBER | |

- HOUSING MATERIAL:TPR
- COLOR:BLACK
- UNIT:mm



| PART NO | IRON PIECE | PACKAGE |
|---------|------------|---------|
| FFR-1 | STEEL | 50 |