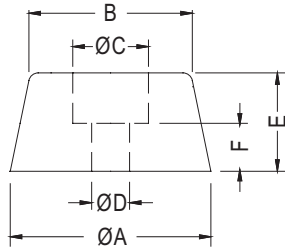


# PLASTIC FOOT

PLASTECH

- MATERIAL:P.V.C/RUBBER/PP
- COLOR:BLACK/WHITE
- UNIT:mm

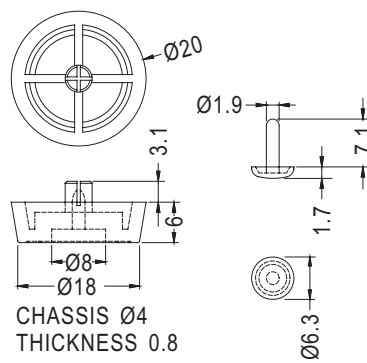


PART NO	A	B	C	D	E	F	MATERIAL	PACKAGE
NF-001	14.8	8.0	6.0	3.0	7.0	3.1	P.V.C	1000
NF-002	11.5	8.7	5.6	3.2	7.4	3.3	RUBBER	
NF-004	16.0	13.0	6.0	3.0	7.8	4.0		
NF-005	17.2	16.2	9.0	4.0	7.0	3.0		
NF-006	20.2	18.4	10.0	3.0	8.0	4.0	P.V.C	500
NF-007	25.0	21.5	8.5	3.3	5.8	2.8		
NF-008	20.0	15.0	9.8	3.0	10.5	5.0		
NF-008A	20.0	15.0	9.8	4.0	10.5	5.0		
NF-009	11.0	8.8	6.0	3.5	5.7	2.3	PP	1000
NF-013	18.0	13.7	7.8	3.5	9.8	2.7	PP	100
NF-014	28.0	21.2	9.7	3.8	20.0	6.0	P.V.C	
NF-018	28.0	24.0	9.7	4.2	25.0	6.0	RUBBER	

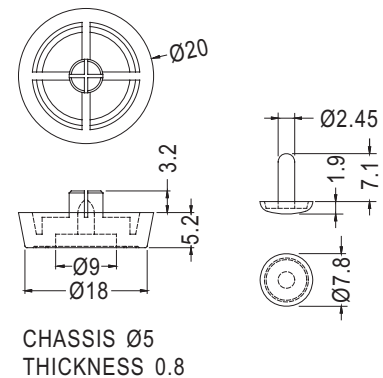
# PLASTIC FOOT

PLASTECH

- FOOT MATERIAL:PE
- PIN MATERIAL:NYLON 66 (UL)94V-2
- COLOR:BLACK
- UNIT:mm



PART NO	PACKAGE
FF-19	100

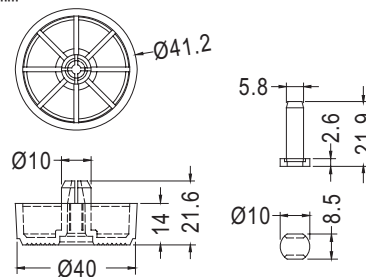


PART NO	PACKAGE
FF-20	100

# PLASTIC FOOT

PLASTECH

- MATERIAL:PP
- FLAME CLASS :94HB
- COLOR:BLACK
- UNIT:mm



PART NO	PACKAGE
FF-34	100