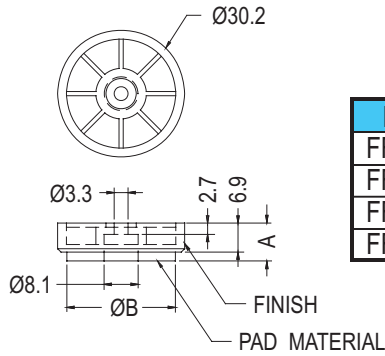


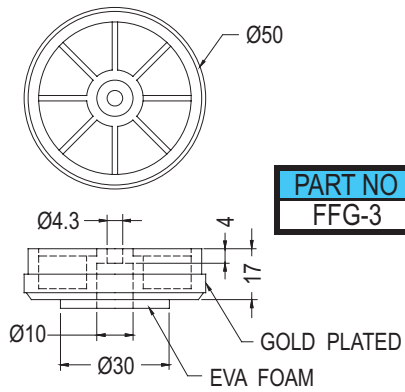
GOLD PLATED FOOT

PLASTECH

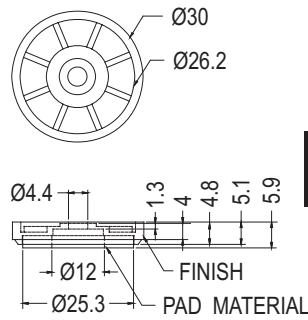
- HOUSING MATERIAL:ABS
- COLOR:BLACK
- UNIT:mm



PART NO	A	B	PAD MATERIAL	FINISH
FFG-1	9.0	25.8	EVA	SILVER PLATED
FFG-1(RU)	8.0	25.0	RUBBER	SILVER PLATED
FFG-1G(RU)				GOLD PLATED
FFG-1N*				SILVER PLATED



PART NO
FFG-3

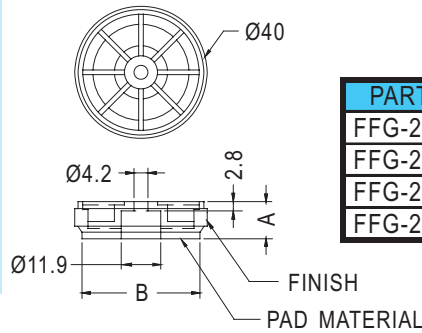
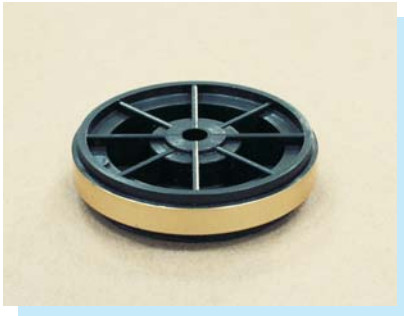


PART NO	PAD MATERIAL	FINISH
FFG-30(S)	EVA	SILVER PLATED

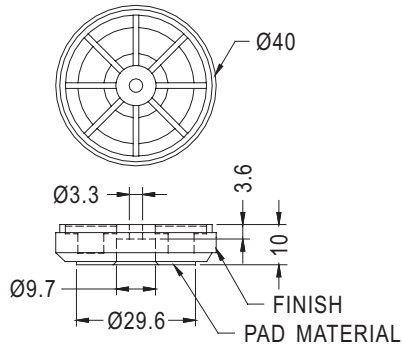
GOLD PLATED FOOT

PLASTECH

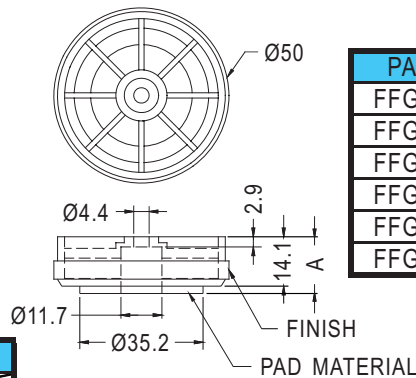
- HOUSING MATERIAL:ABS
- COLOR:BLACK
- UNIT:mm



PART NO	A	B	PAD MATERIAL	FINISH
FFG-2A	10.8	35.5	EVA	GOLD PLATED
FFG-2A(RU)	10.2		RUBBER	
FFG-2A(S)	11.0	35.0	EVA	SILVER PLATED
FFG-2AS(RU)	10.2	35.5	RUBBER	



PART NO	PAD MATERIAL	FINISH
FFG-2N	RUBBER	
FFG-2(S)		SILVER PLATED



PART NO	A	PAD MATERIAL	FINISH
FFG-3A	16.2	EVA	GOLD PLATED
FFG-3A(RU)	15.4	RUBBER	
FFG-3A(S)	16.0	EVA	SILVER PLATED
FFG-3A(G)N			GOLD PLATED
FFG-3AN	16.2	EVA	
FFG-3AN(RU)	15.4	RUBBER	