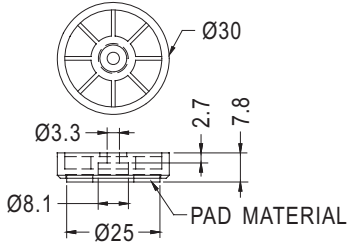


# PLATED FOOT

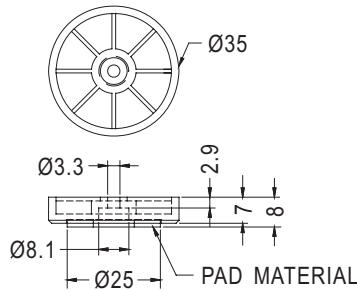
PLASTECH



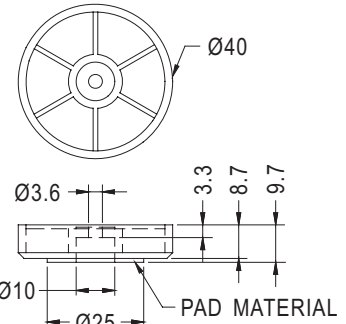
- HOUSING MATERIAL:ABS
- COLOR:BLACK
- UNIT:mm
- FFK RANGE: Without any silver/gold plated



| PART NO   | PAD MATERIAL |
|-----------|--------------|
| FFK-1     | EVA          |
| FFK-1P    | PORON        |
| FFK-1(RU) | RUBBER       |



| PART NO   | PAD MATERIAL |
|-----------|--------------|
| FFK-3     | EVA          |
| FFK-3P    | PORON        |
| FFK-3(RU) | RUBBER       |

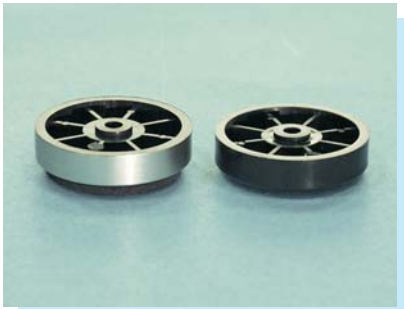


ONLY FOR : FFK-4P

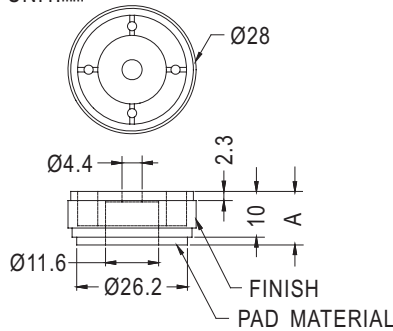
| PART NO   | PAD MATERIAL |
|-----------|--------------|
| FFK-2     | EVA          |
| FFK-2P    | PORON        |
| FFK-2(RU) | RUBBER       |
| FFK-4P    | PORON        |

# GOLD PLATED FOOT

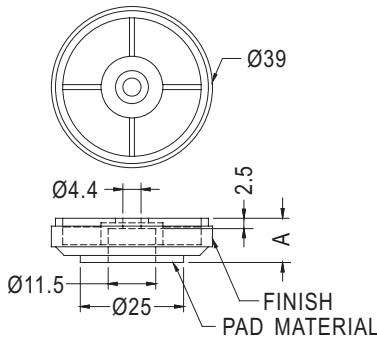
PLASTECH



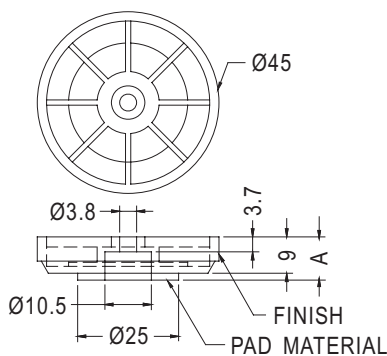
- HOUSING MATERIAL:ABS
- COLOR:BLACK
- UNIT:mm



| PART NO    | A    | PAD MATERIAL | FINISH        |
|------------|------|--------------|---------------|
| RS-28      | 11.7 | EVA          | GOLD PLATED   |
| RS-28(S)   |      |              | SILVER PLATED |
| RS-28S(RU) | 10.7 | RUBBER       |               |
| RS-28N(RU) |      |              |               |
| RS-28(N)N  | 10.0 |              |               |



| PART NO    | A    | PAD MATERIAL | FINISH        |
|------------|------|--------------|---------------|
| RS-40      | 10.7 | EVA          | GOLD PLATED   |
| RS-40(S)   |      |              | SILVER PLATED |
| RS-40S(RU) | 9.8  | RUBBER       |               |



| PART NO    | A    | PAD MATERIAL   | FINISH        |
|------------|------|----------------|---------------|
| RS-45      | 10.7 | EVA            | GOLD PLATED   |
| RS-45(S)   |      |                | SILVER PLATED |
| RS-45(RU)  | 9.7  | RUBBER         | GOLD PLATED   |
| RS-45S(RU) |      |                | SILVER PLATED |
| RS-45(S)I  |      | SILICON RUBBER |               |

9-9